



((R = 89.60'))
 ((L = 142.79'))
 ((LC = N45°56'14"E 128.15'))
 ((DELTA = 91°18'27"))
 R = 89.60'
 L = 142.73'
 N45°48'46"E 128.11'
 DELTA = 91°16'28"

CO. RD. NO. 24 45' R/W

LEGEND

- SET 5/8"x30" IRON ROD w/CAP STAMPED "IE ENG."
- FOUND 5/8" IRON ROD UNLESS OTHERWISE NOTED
- △ CALCULATED POINT
- () RECORD DATA PER 1995-0082 UNLESS OTHERWISE NOTED
- (()) RECORD DATA PER 1993-0034
- [] RECORD DATA PER 1992-0081

FIELD CREW: SAM COREY AND RYAN PALMER
 OFFICE: NEIL HIBBS
 DRAFTING: MICHAEL JONES

REFERENCE MAPS: 1995-0082, M8-26, 1992-0081,
 VOL. 336, PG. 742, VOL. 248, PG. 472,
 M102-5, 1993-0034

ZONING: R-1

WATER: CITY OF YONCALLA

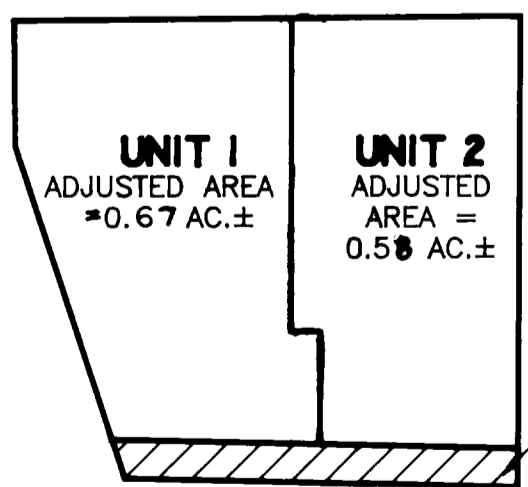
SEWER: CITY OF YONCALLA

EASEMENTS TO BE RESERVED FOR
 THE BENEFIT OF PARCEL 1 IF UNIT 2
 IS EVER SOLD

[R = 61.86']
 [L = 98.71']
 [DELTA = 91°25'24"]
 [LC = N44°52'12"E 88.56']
 R = 61.86'
 L = 98.68'
 DELTA = 91°24'05"
 N44°50'48"E 88.55'

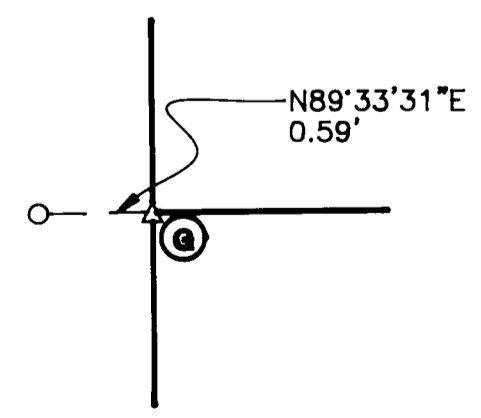
N38°28'45"W 46.11'
 (N38°30'07"W 46.07')

*NOTE: WATERLINE TO SERVICE UNIT 2 WILL BE
 INSTALLED IN NORTH 1/2 OF 20'
 DEDICATED STRIP - PER CITY OF YONCALLA



BOUNDARY LINE ADJUSTMENT DETAIL

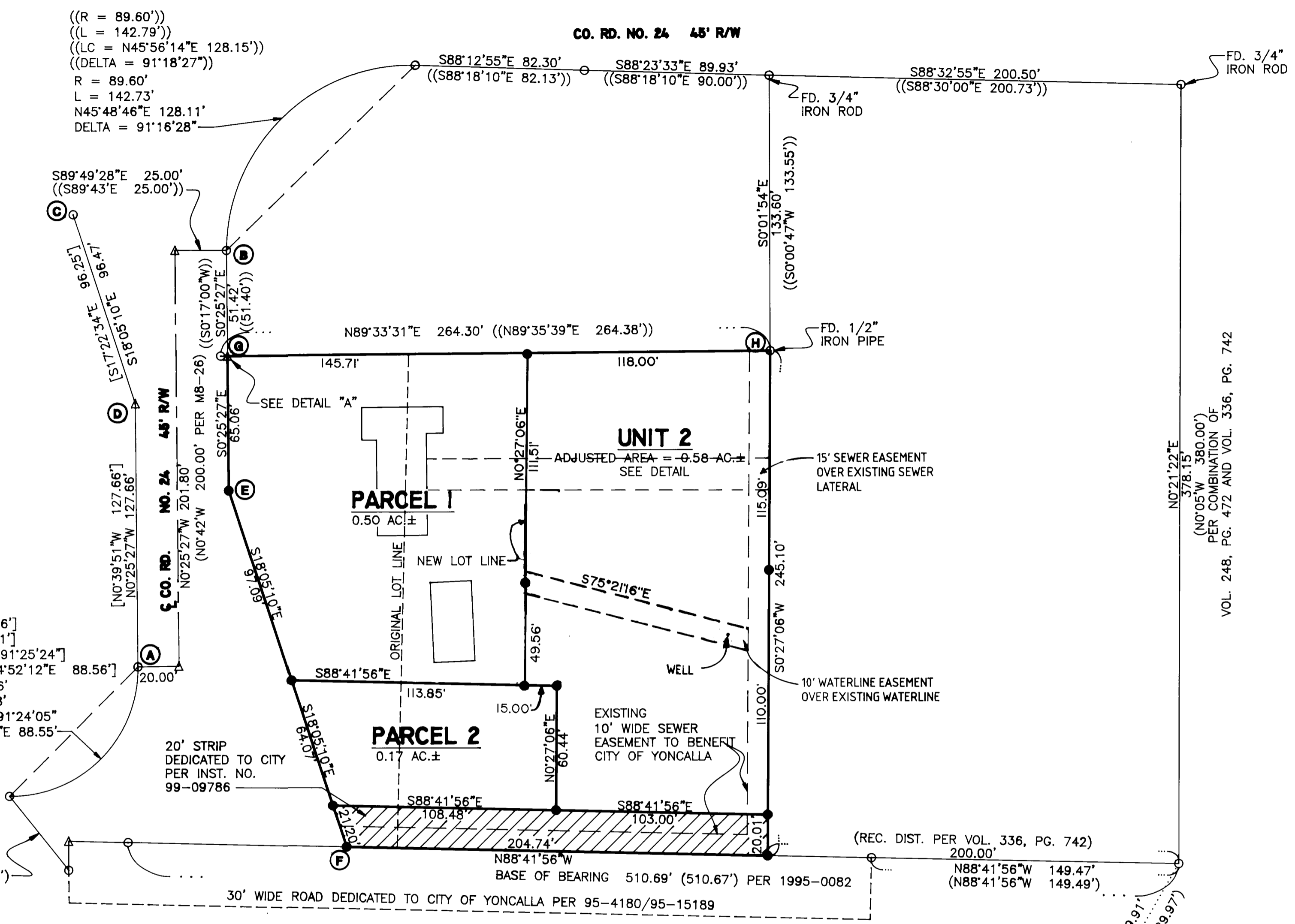
SCALE: 1" = 100'



DETAIL "A"

SCALE: 1" = 1'

99-26327



FD. 5/8" I.R.
 SW COR. DLC 40
 STATE PLANE
 714768.09
 1261150.56

VOL. 248, PG. 472 AND VOL. 336, PG. 742
 PER COMBINATION OF
 (N0°05'W 380.00')

REGISTERED PROFESSIONAL LAND SURVEYOR
J. Neil Hibbs
 OREGON
 JANUARY 12, 1988
 F.N.E.L. 1888
 52988
 EXPIRES: 6/30/1999

BOUNDARY LINE ADJUSTMENT AND LAND PARTITION
 LYING IN THE SE 1/4 OF SECTION 4, T23S, R5W, WILLAMETTE MERIDIAN, DOUGLAS COUNTY, OREGON

SURVEYED FOR: MELVIN AND LILLIE FINCH P.O. BOX 516 YONCALLA, OR 97499	SURVEYED BY: i.e. ENGINEERING 741 S.E. Jackson Street Roseburg, Oregon 97470 PHONE (541) 673-0166 FAX (541) 440-9392
SCALE: 1" = 40'	DATE: APRIL, 1999
DWG. BY: MLJ	
JOB NO. 1623-01 PAGE: 1 OF 2	