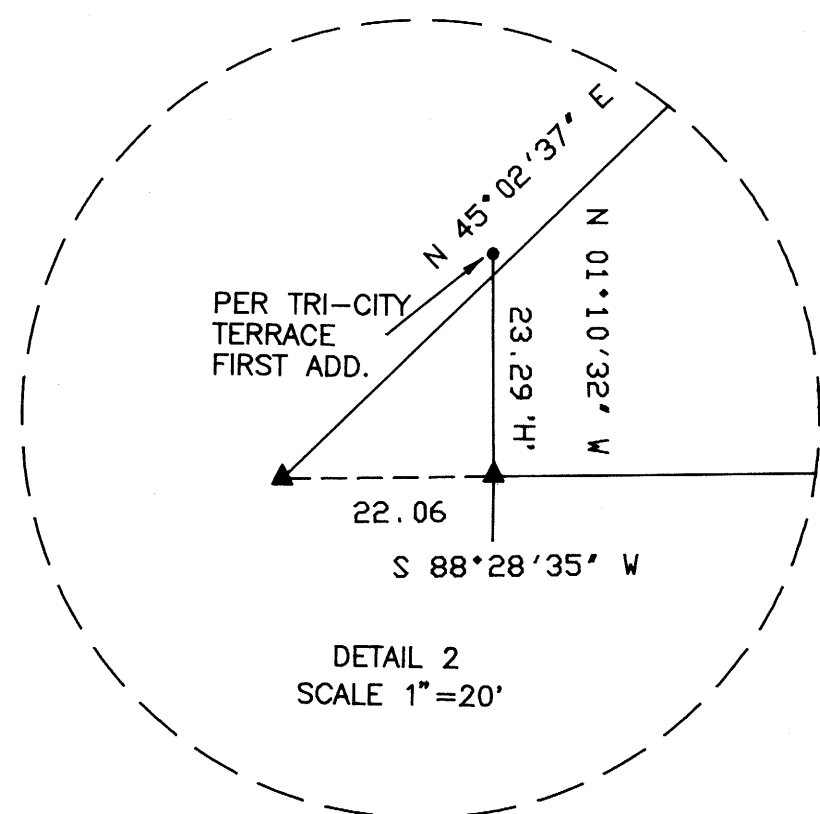
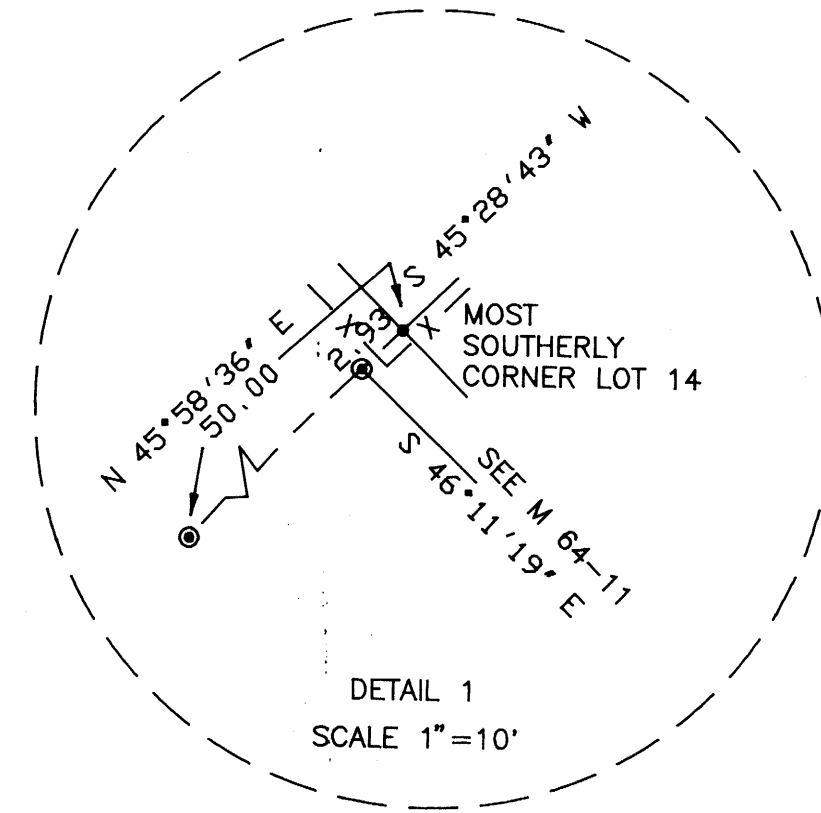


SHORT LINE INDEX

L-1 S 44°51'17" E 10.00
L-2 S 44°41'20" E 10.00

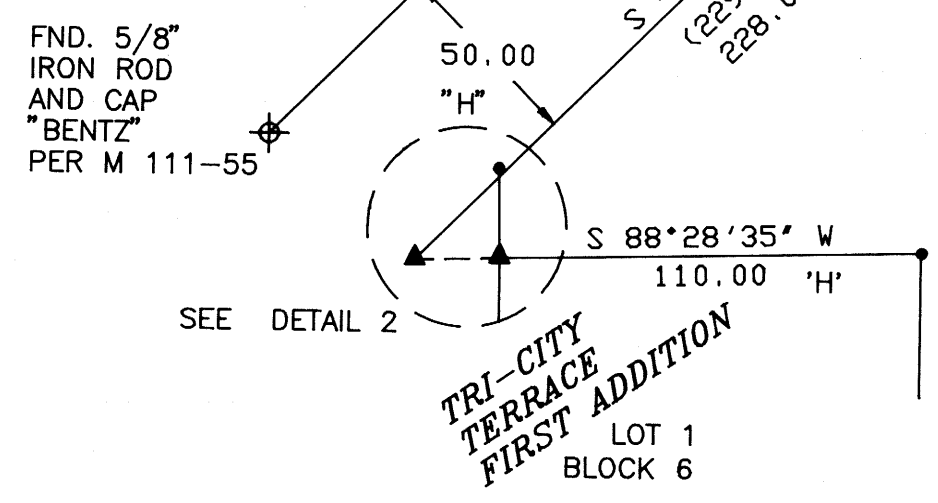


DETAIL 2
SCALE 1"=20'



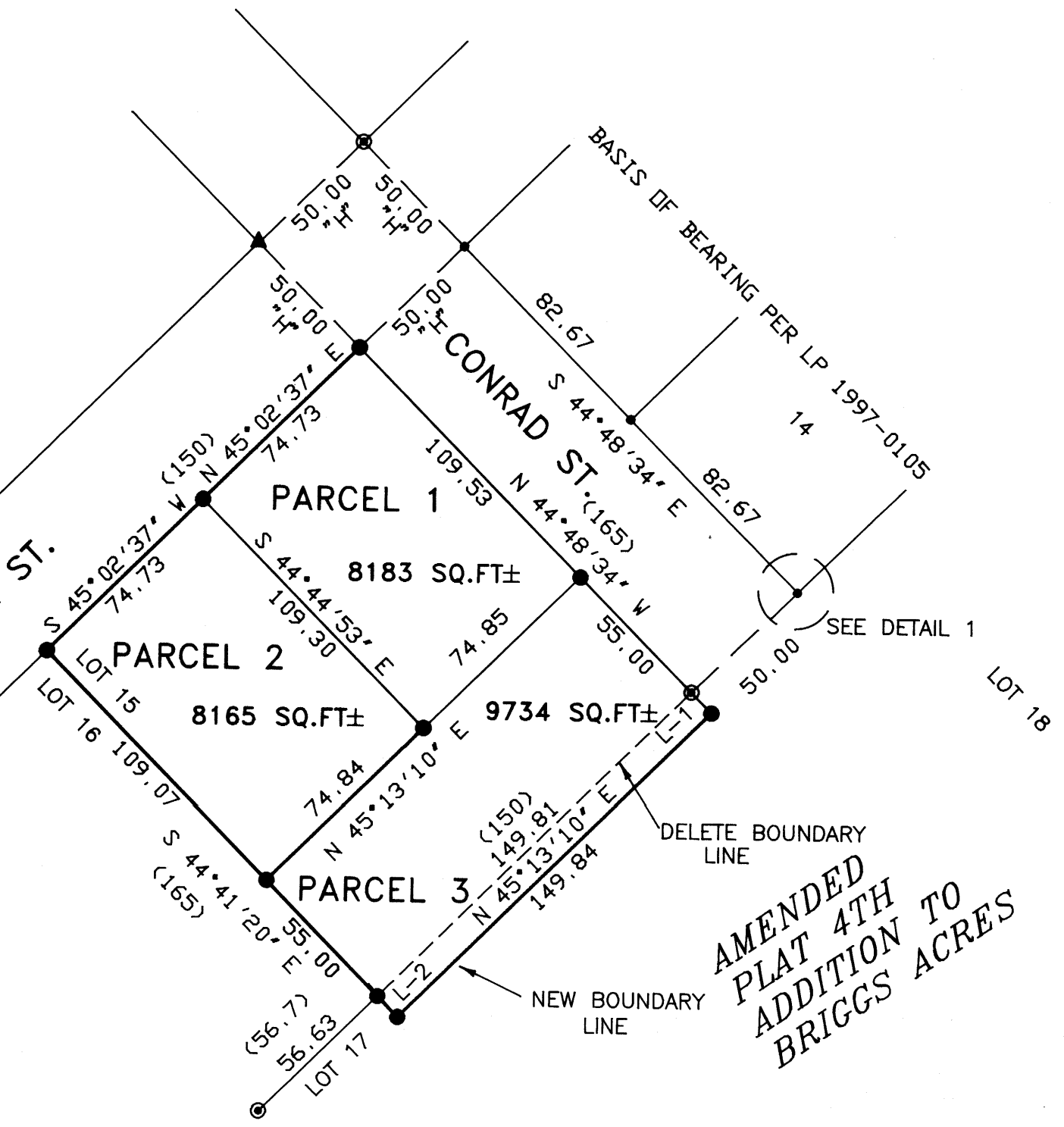
DETAIL 1
SCALE 1"=10'

DETAIL SCALES 1"=5'



LEGEND

- FOUND 5/8" IRON ROD
- ▲ CALCULATED POINT
- () RECORD PER AMENDED PLAT 4TH ADD. TO BRIGGS ACRES
- ⊙ FOUND 1/2" IRON ROD
- SET 5/8"X30" IRON ROD WITH 1.25" WASHER LS 866
- X — FENCE
- "H" HELD RECORD DISTANCE PER AMENDED PLAT 4TH ADD. TO BRIGGS ACRES
- 'H' HELD RECORD DISTANCE PER TRI-CITY TERRACE, FIRST ADDITION
- ⊕ FOUND AS NOTED



BOUNDARY LINE ADJUSTMENT AND LAND PARTITION SURVEY OF DEED 97-15700 AND 97-04708 IN SW 1/4 SECTION 33, T29S, R5W, WM LOT 15, AMENDED 4TH ADDITION TO BRIGGS ACRES	
OWNER and PARTITIONER: Roland Theiss and Margaret Theiss P. O. BOX 824 MYRTLE CREEK, OR 97457	
ZONE: R1 COMP. PLAN DESIG.: MEDIUM DENSITY RESIDENTIAL (RMD) WATER SUPPLY: TRI-CITY WATER DISTRICT SEWAGE DISPOSAL: TRI-CITY SANITARY DISTRICT Planning Dept. File 97-246	
REGISTERED OREGON LAND SURVEYOR JULY 12, 1968 WILLIAM J. RUPPERT 866 MY REGISTRATION EXPIRES 12/31/1998	Surveyed by: WILLIAM J. RUPPERT P.O. BOX 1564 MYRTLE CREEK, OR 97457
SCALE 1"=50' 97-24736	OCTOBER 1997 SHEET 1 OF 2

97-24736

97-24736

ACKNOWLEDGEMENT:

STATE OF OREGON }
COUNTY OF DOUGLAS } SS

PERSONALLY APPEARED BEFORE ME ON THIS 1st DAY OF Dec., 1997, IN SAID STATE AND COUNTY, ROLAND THEISS AND MARGARET THEISS, WHO ACKNOWLEDGED THE ANNEXED INSTRUMENT TO BE THEIR VOLUNTARY ACT AND DEED.



Jean H Crawford NOTARY PUBLIC

DECLARATION AND DEDICATION:

KNOWN ALL MEN BY THESE PRESENTS ROLAND THEISS AND MARGARET THEISS ARE THE OWNERS OF THE LAND REPRESENTED ON THE ANNEXED MAP AND MORE PARTICULARLY DESCRIBED ON THE ACCOMPANYING SURVEYOR'S CERTIFICATE, HAVE CAUSED THE SAME TO BE PARTITIONED AS SHOWN ON THE ANNEXED PLAT.

Roland Theiss 12-1-1997
ROLAND THEISS DATE
Margaret Theiss 12-1-1997
MARGARET THEISS DATE

SURVEYOR'S CERTIFICATE

I, WILLIAM J. RUPPERT, SAY THAT THE LAND DEPICTED ON THE ACCOMPANYING LAND PARTITION MAP HAS BEEN SURVEYED AND MARKED WITH THE PROPER MONUMENTS, AND THAT THE DESCRIPTION OF THE LAND DEPICTED ON THE ACCOMPANYING LAND PARTITION MAP IS AS FOLLOWS:

LOT 15 OF AMENDED PLAT OF 4TH ADDITION TO BRIGGS ACRES IN SECTION 33, TOWNSHIP 29 SOUTH, RANGE 5 WEST, WILLAMETTE MERIDIAN, DOUGLAS COUNTY, OREGON, TOGETHER WITH THE FOLLOWING PARCEL OF LAND:

BEGINNING AT THE MOST NORTHERLY CORNER OF LOT 17 OF THE AMENDED PLAT OF THE 4TH ADDITION TO BRIGGS ACRES; THENCE RUNNING ALONG THE NORTHEASTERLY LINE OF SAID LOT 17, SOUTH 44° 51' 17" EAST 10.00 FEET; THENCE SOUTH 45° 13' 10" WEST 149.84 FEET; THENCE NORTH 44° 41' 20" WEST 10.00 FEET TO THE MOST SOUTHERLY CORNER OF LOT 15 OF THE AMENDED PLAT OF THE 4TH ADDITION TO BRIGGS ACRES; THENCE ALONG THE LOT LINE BETWEEN SAID LOTS 15 AND 17 NORTH 45° 13' 10" EAST 149.81 FEET TO THE POINT OF BEGINNING.

William J. Ruppert
WILLIAM J. RUPPERT

SURVEY NARRATIVE:

PROCEDURE:
THE MOST NORTHERLY CORNER OF LOT 16 WAS SET BY HOLDING THE ALIGNMENT OF THE NORTHWESTERLY LINE OF COOK STREET AND RECORD RIGHT-OF-WAY DISTANCES PER LP 1997-0105. THE SOUTHEASTERLY LINE OF COOK STREET WAS PROJECTED TO THE NORTHERLY LINE OF TRI-CITY TERRACE, FIRST ADDITION. THE RESULTING RIGHT-OF-WAY LINE ALONG LOTS 15 AND 16 WAS PROPORTIONED TO ORIGINAL DISTANCES PER AMENDED PLAT OF 4TH ADDITION TO BRIGGS ACRES.

EQUIPMENT: PENTAX TOTAL STATION III-10 AND 100 FT. STEEL TAPE.

SURVEY, CALCULATIONS, AND DRAFTING BY WILLIAM J. RUPPERT.



STATE OF OREGON }
COUNTY OF DOUGLAS } SS
I, DOYLE SHAVER JR., COUNTY CLERK AND
RECORDER OF CONVEYANCES, DO HEREBY CERTIFY
THAT THIS INSTRUMENT WAS RECORDED
97 DEC 10 AM 11:50
DOYLE SHAVER JR.
DOUGLAS COUNTY CLERK
IN THE OFFICIAL RECORDS OF DOUGLAS COUNTY
BY William J. Ruppert
DEPUTY
FEE PP

FILED THIS DAY 10 OF Dec 1997, at 11:50 AM
DOUGLAS COUNTY CLERK'S OFFICE

DOYLE SHAVER JR., County Clerk
William J. Ruppert
Deputy

APPROVALS

Keith L. Cubic 12/8/97
DOUGLAS COUNTY PLANNING DEPT. DATE

Romy Wren 12-9-97
COUNTY SURVEYOR DATE

I HEREBY CERTIFY THAT ALL TAXES AND SPECIAL ASSESSMENTS OR OTHER CHARGES REQUIRED BY LAW HAVE BEEN PAID.

Anne E. Schroeder 12-9-97
DOUGLAS COUNTY TAX COLLECTOR DATE

BOUNDARY LINE ADJUSTMENT
AND
LAND PARTITION SURVEY
OF DEED 97-15700 AND 97-04708 IN

SW 1/4 SECTION 33, T29S, R5W, WM
LOT 15, AMENDED 4TH ADDITION TO BRIGGS ACRES

OWNER and PARTITIONER:
Roland Theiss and Margaret Theiss
P. O. BOX 824
MYRTLE CREEK, OR 97457

REGISTERED
OREGON
LAND SURVEYOR

JULY 12, 1968
WILLIAM J. RUPPERT
866

MY REGISTRATION
EXPIRES 12/31/1998

Surveyed by:

WILLIAM J. RUPPERT
P.O. BOX 1564
MYRTLE CREEK, OR 97457

97-24736 OCTOBER 1997
SHEET 2 OF 2

97-24736

97-24736