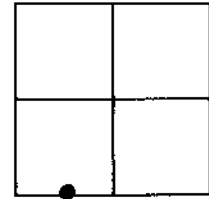


Douglas County Geodetic Data Sheet

T 26 R 05 WS 14 C

Station: CAUBLE
 Date Set: 1999 Set By (Agency): DCSO
 Last Date Recovered: 06/21/1999

Designation: C-162



VERTICAL CONTROL

NGVD 29 Elevation: 549.04 Feet
 Precision: 3RD ORDER Agency: DCSO

CS File: 66025

Date: 1999

NAVD 88 Elevation: Meters
 Precision: Agency:

CS File:

Date:

HORIZONTAL CONTROL

OCS 27	Y(Northing):	X(Easting):	Lat 43° 18' 06.1"	Long: 123° 15' 35.9"
Precision:	GIS	Agency:	CS File: 66025	Date:
OCS 83	Y(Northing):	X(Easting):	Lat	Long:
Precision:		Agency:	CS File:	Date:
OCS 83/91	Y(Northing):	X(Easting):	Lat 43° 18' 05.5"	Long: 123° 15' 40.2"
Precision:	GIS	Agency:	CS File: 66025	Date:
OCS 83/98	Y(Northing):	X(Easting):	Lat	Long:
Precision:		Agency:	CS File:	Date:
			Scaled Lat 43° 18' 06"	Long: 123° 15' 36"

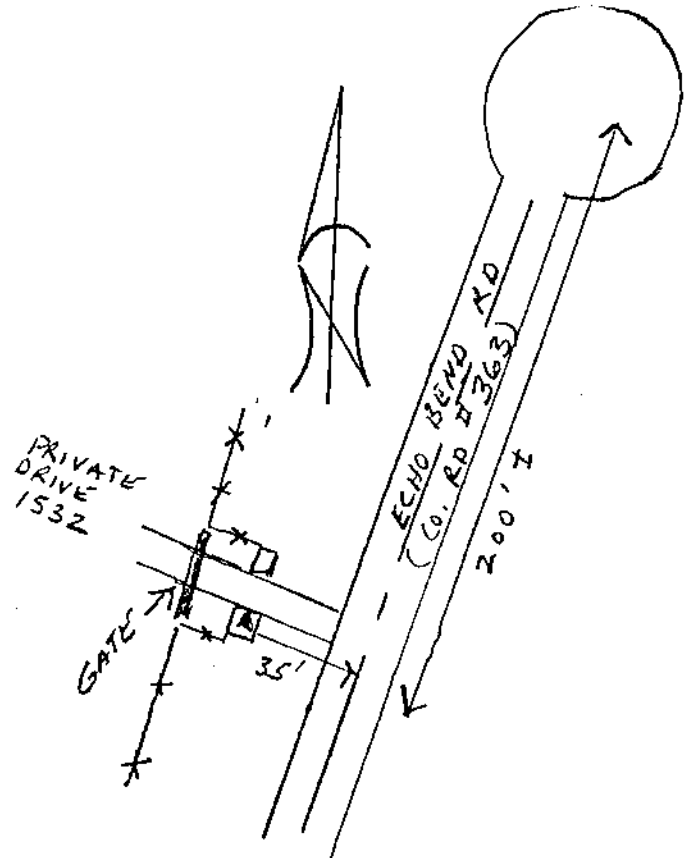
Description:

DCSO BRASS CAP SET IN 2 X 2 FT CONCRETE FENCE POST FOOTING; STAMPED - CAUBLE 1999.

Comments:

FROM THE INTERSECTION OF NORTH BANK RD;
 CO RD 200 AND ECHO BEND RD; CO RD 363 - IN
 T26S R5W SEC. 23 - PROCEED
 NORTHWESTERLY ALONG ECHO BEND RD TO
 APPROX. 200 FT FROM END TO MONUMENT ON
 LEFT IN CONCRETE PAD.

Notes:



Note: For further information contact the Douglas County Surveyors Office, Room 105A Douglas County Courthouse, Roseburg, OR 97470. Phone 440-4272 or Fax (541)957-8150. Douglas County Residents outside Roseburg calling area, dial toll free 1-800-224-1619.