

OFFICE OF THE  
DOUGLAS COUNTY SURVEYOR

Station: D 472

T22S R5W Sec. 9

Date Set: 1941

Set By (Agency): USC&GS

DCSO Designation: D-005

Date Recovered: 8-93

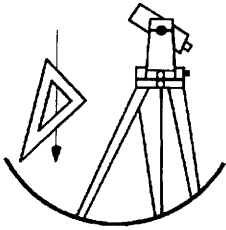
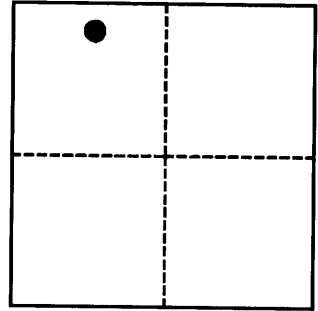
Recovered By: RWS S.JF

Date Recovered: \_\_\_\_\_

Recovered By: \_\_\_\_\_

Date Recovered: \_\_\_\_\_

Recovered By: \_\_\_\_\_



VERTICAL CONTROL

NGVD 29 Elevation: 303.822 FEET

NAVD 88 307.441 FT  
NAVD 88 Elevation: 93.708 METERS

NGS Line # L25035 USGS LINE # \_\_\_\_\_

OSHD Line # \_\_\_\_\_ FILE # \_\_\_\_\_

Precision: 1ST ORDER Agency: NGS Proj: \_\_\_\_\_ Date: 1988

HORIZONTAL CONTROL

O.C.S. 27 Y(Northing): \_\_\_\_\_ O.C.S. 83 Y(Northing): \_\_\_\_\_

(South Zone) X(Easting): \_\_\_\_\_ (South Zone) X(Easting): \_\_\_\_\_

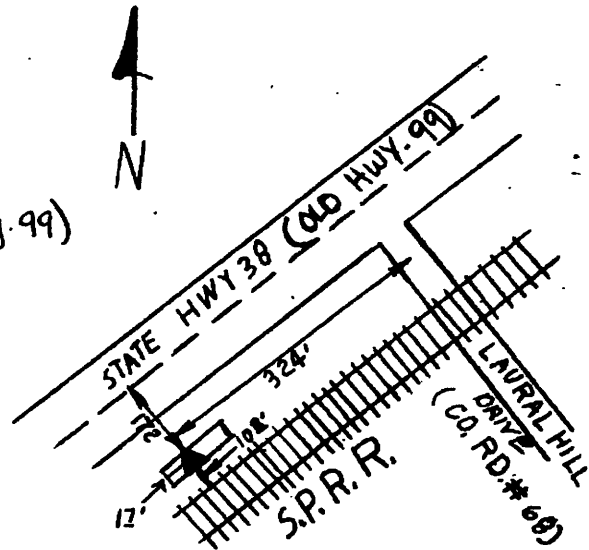
Precision: \_\_\_\_\_ Agency: \_\_\_\_\_ Proj: \_\_\_\_\_ Date: \_\_\_\_\_

Approx. O.C.S. 27 Geographic Position: Latitude: 43°40'40" Longitude: 123°18'02"

Approx. O.C.S. 83 Geographic Position: Latitude: \_\_\_\_\_ Longitude: \_\_\_\_\_

Found: A 3 - 1/2 inch diameter USC&GS disk stamped "D 472 1941" set flush in a concrete head wall.

To reach: From the intersection of State Hwy 38 and Laurel Hill Dr. (Co. Rd. #68) in T22S R5W Sec9, (SPRR tracks are near intersection) proceed southwesterly along SPRR tracks 324 feet to monument on west side of tracks.



Note: For further information contact the Douglas County Surveyors Office, Room 205 Douglas County Justice Building, Roseburg, OR 97470. Phone 440-4272. Douglas County Residents outside Roseburg calling area, dial toll free 1-800-477-0991.