

OFFICE OF THE
DOUGLAS COUNTY SURVEYOR

Station: TROJAN T 28 S, R 6 W, Sec 20

Set By (Agency): Don Garrett
RLS #0544

Date Set: 1972

Recovered By RS, SJF

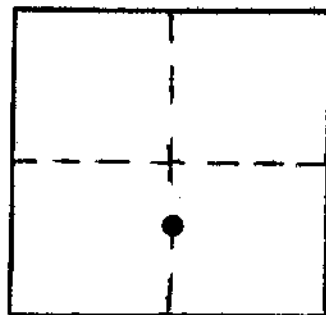
Date Recovered July 16, 1984

Recovered By OSHD ED. OK

Date Recovered 3/16/89

Recovered By _____

Date Recovered _____



t-051
TROJAN

28S 6W 20

NAD 541997.55 4138205.49
83 43° 6' 58" 123° 26' 1"

VERTICAL CONTROL NGVD 29

Elevation: 532.99 ft. NGS Line # _____ USGS Line # _____ OSHD Line # _____

Precision: 3rd. Agency: Don Bentz Proj. # _____ Date: 1972

RLS # 0839

HORIZONTAL CONTROL OCS 27

South Zone State Plane Coordinates: Y(Northing) 542,032.65 X(Easting) 1,217,247.23

Precision: 1/25,000 Agency: D.C.S.O. Proj. # 2005 CS 56/9 Date: 1972

Approximate Geographic Position: Latitude 43°06'59" Longitude 123°25'56"

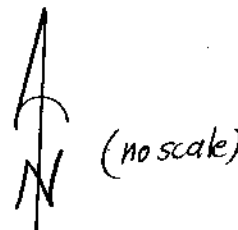
DESCRIPTION and TO REACH

SKETCH

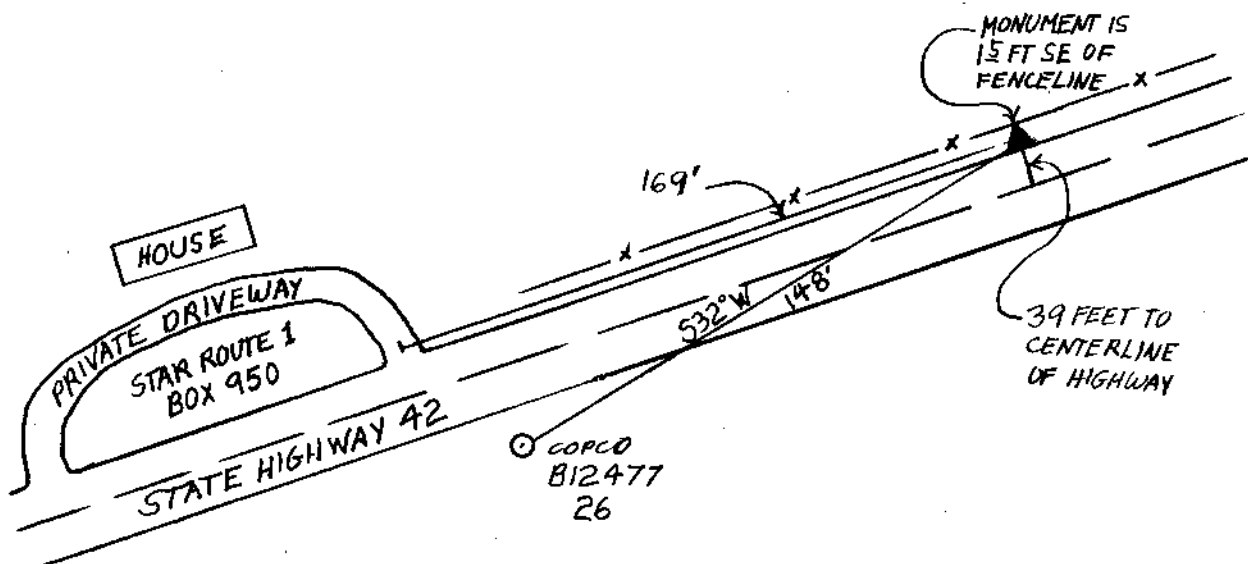
A D.C.S.O. disk stamped "TROJAN 1972" set on an iron pipe flush with ground.

TO REACH:

From the intersection of State Highway 99 and State Highway 42 at Winston in T28S, R6W, Sec. 21 proceed westerly along State Highway 42 approximately 1.15 miles to monument on right. Monument lies 1.5 feet south of north highway right-of-way fence.



Reference Marks:



Note: For further information, contact the Douglas County Surveyor's Office, Room 205 Douglas County Justice Building, Roseburg, OR 97470. Phone 440-4278. Douglas County residents outside the Roseburg calling area, dial toll free 1-800-452-0991.