

OFFICE OF THE
DOUGLAS COUNTY SURVEYOR

Station: Shoe T 30 S, R 6W, Sec 27

Set By (Agency): DCSO

Date Set: 1978

Recovered By LEM

Date Recovered 2-82

Recovered By _____

Date Recovered _____

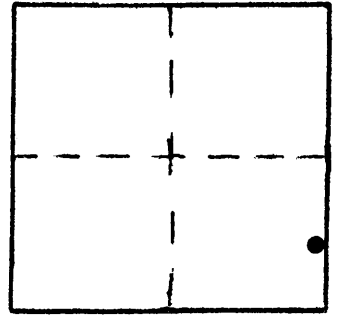
Recovered By _____

Date Recovered _____



3-086
SHOE 30S 6W 27

NAD 474078.37 4198326.74
83 42°56' 8" 123°12' 1"



VERTICAL CONTROL

Elevation: _____ NGS Line # _____ USGS Line # _____ OSHD Line # _____

Precision: _____ Agency: _____ Proj. # _____ Date: _____

HORIZONTAL CONTROL **OCS 27**

South Zone State Plane Coordinates: Y(Northing) 474,114.35 X(Easting) 1,227,368.01

Precision: 1/25,000 Agency: DCSO Proj. # 6009-8 Date: 1979

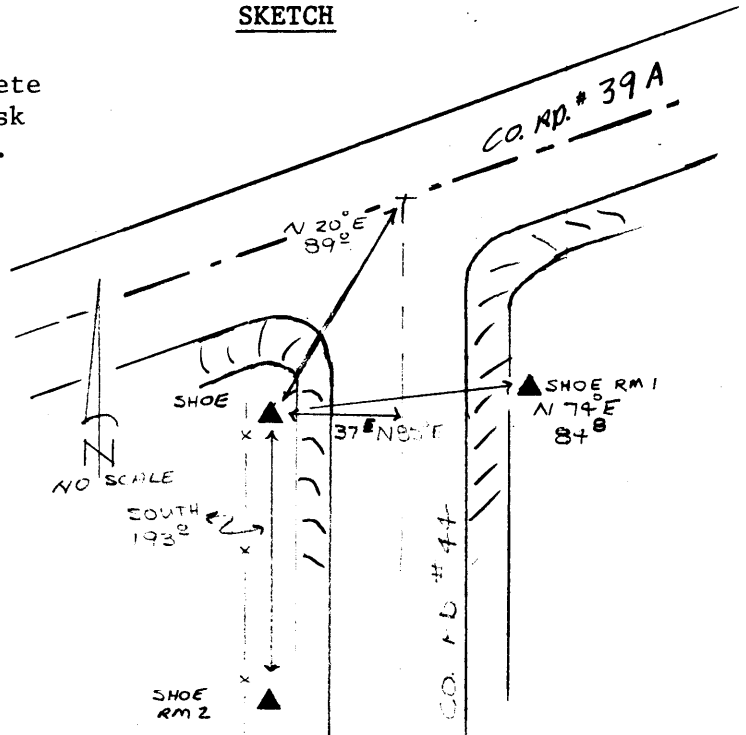
Approximate Geographic Position: Latitude 42°55'52" Longitude 123°23'08"

DESCRIPTION and TO REACH

SKETCH

Found: A standard DCSO cap set in a 6" concrete filled belltile set flush with the ground. Disk is stamped "Shoe 1978". Station mark is approx. 8 ft. above Co. Rd. #44 asphalt level.

To reach: Station mark is at intersection of Co. Rd. #44 & Co. Rd. #39A in T30S R6W sec. 26.



Reference Marks:

"Shoe RM 1 1978" is a standard DCSO disk set in concrete filled tile protruding 2" from the ground. Station mark is approx. 8 ft. above Co. Rd. #44 asphalt level.
(Shoe RM1 bears N67° 53' 09"E 84.85 ft. from Shoe (grid))

"Shoe RM 2 1978" is a standard DCSO disk set in concrete filled tile buried flush with ground. Station mark is approx. 1 ft. above Co. Rd. #44 asphalt level.

(Shoe RM2 bears S 1° 36' 01"E 193.57 ft. from Shoe (grid))

Note: For further information, contact the Douglas County Surveyor's Office, Room 205 Douglas County Justice Building, Roseburg, OR 97470. Phone 440-4278. Douglas County residents outside the Roseburg calling area, dial toll free 1-800-452-0991.