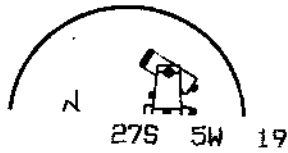


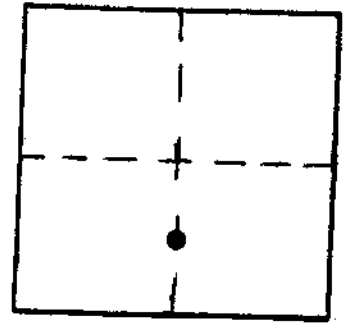
OFFICE OF THE  
DOUGLAS COUNTY SURVEYOR

Station: SHERI T 27 S, R 5 W, Sec 19  
 Set By (Agency): DCSO  
 Date Set: 1982  
 Recovered By TP, JP  
 Date Recovered 7/82  
 Recovered By \_\_\_\_\_  
 Date Recovered \_\_\_\_\_  
 Recovered By \_\_\_\_\_  
 Date Recovered \_\_\_\_\_



s-082  
SHERI

NAD 571981.73 4164809.96  
 83 43°12' 3" 123°20'16"



VERTICAL CONTROL

Elevation: \_\_\_\_\_ NGS Line # \_\_\_\_\_ USGS Line # \_\_\_\_\_ OSHD Line # \_\_\_\_\_  
 Precision: \_\_\_\_\_ Agency: \_\_\_\_\_ Proj. # \_\_\_\_\_ Date: \_\_\_\_\_

HORIZONTAL CONTROL OCS 27

South Zone State Plane Coordinates: Y(Northing) 572,016.96 X(Easting) 1,243,851.62  
 Precision: 1/20,000 Agency: DCSO Proj. # 2005-2 Date: 1983  
 Approximate Geographic Position: Latitude 43°12'04" Longitude 123°20'11"

DESCRIPTION and TO REACH

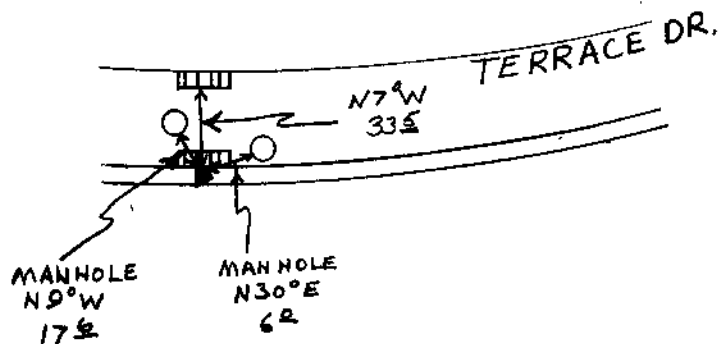
SKETCH

DESCRIPTION:

A DCSO disk stamped "SHERI 1982"  
set flush in concrete curbing.

TO REACH:

From the intersection of SE Terrace Dr.  
and SE Laurel Dr. proceed northerly  
along SE Laurel Dr. 0.15 miles to  
monument on right.



Reference Marks:

Note: For further information, contact the Douglas County Surveyor's Office, Room 205  
Douglas County Justice Building, Roseburg, OR 97470. Phone 440-4278. Douglas  
County residents outside the Roseburg calling area, dial toll free 1-800-452-0991.