

OFFICE OF THE  
DOUGLAS COUNTY SURVEYOR

Station: 0 557. T 30 S, R 5W , Sec 19

Set By (Agency): OSHD

Date Set: 1957

Recovered By JP-RWS

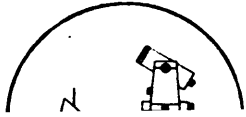
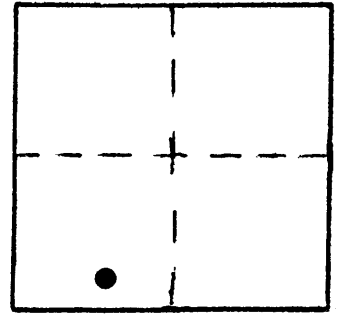
Date Recovered 2-11-82

Recovered By \_\_\_\_\_

Date Recovered \_\_\_\_\_

Recovered By \_\_\_\_\_

Date Recovered \_\_\_\_\_



q-016  
0 557

30S 5W 19

NAD 478077.93 4162053.77  
83 42°56'36" 123°20'10"

VERTICAL CONTROL **NGVD 29**

Elevation: 673.753 NGS Line # 130 USGS Line # \_\_\_\_\_ OSHD Line # \_\_\_\_\_

Precision: 2nd Agency: USC&GS Proj. # \_\_\_\_\_ Date: 1957

HORIZONTAL CONTROL **OCS 27**

South Zone State Plane Coordinates: Y(Northing) 478,115.65 X(Easting) 1,241,095.21

Precision: 1/25,000 Agency: DCSO Proj. # 2008 Date: 1978

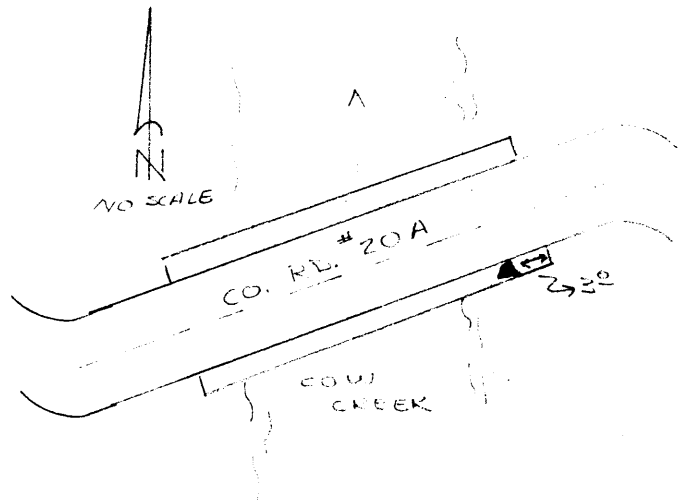
Approximate Geographic Position: Latitude 42°56'36" Longitude 123°20'06"

DESCRIPTION and TO REACH

SKETCH

Found: A standard OSHD disk set flush on curb of Cow Creek bridge 0.6' above bridge deck.

To reach: From center of I-5 overpass in T30S R5W sec. 20 and Riddle access road (Co Rd. #20A), proceed Westerly toward Riddle along Co. Rd. #20A 1.0 miles to Easterly end of bridge and station on the left. (or Southerly side of bridge).



Reference Marks:

Note: For further information, contact the Douglas County Surveyor's Office, Room 205 Douglas County Justice Building, Roseburg, OR 97470. Phone 440-4278. Douglas County residents outside the Roseburg calling area, dial toll free 1-800-452-0991.