

# Douglas County Geodetic Data Sheet

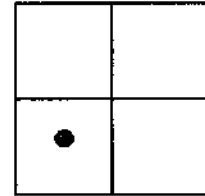
T 26 R 05 WS 24 C

Station: PAUL

Designation: P-116

Date Set: 1999 Set By (Agency): DCSO

Last Date Recovered: 06/21/1999



## VERTICAL CONTROL

NGVD 29 Elevation: 643.92 Feet

Precision: 3RD ORDER Agency: DCSO

CS File: 66025

Date: 1999

NAVD 88 Elevation: Meters

Precision: Agency:

CS File:

Date:

## HORIZONTAL CONTROL

OCS 27 Y(Northing): X(Easting):

Precision: GIS Agency: DCSO

OCS 83 Y(Northing): X(Easting):

Precision: Agency:

OCS 83/91 Y(Northing): X(Easting):

Precision: GIS Agency: DCSO

OCS 83/98 Y(Northing): X(Easting):

Precision: Agency:

Lat 43° 17' 30.1" Long: 123° 14' 24.3"

CS File: 66025 Date: 1999

Lat Long:

CS File: Date:

Lat 43° 17' 29.5" Long: 123° 14' 28.6"

CS File: 66025 Date: 1999

Lat Long:

CS File: Date:

Scaled Lat 43° 17' 30" Long: 123° 14' 24"

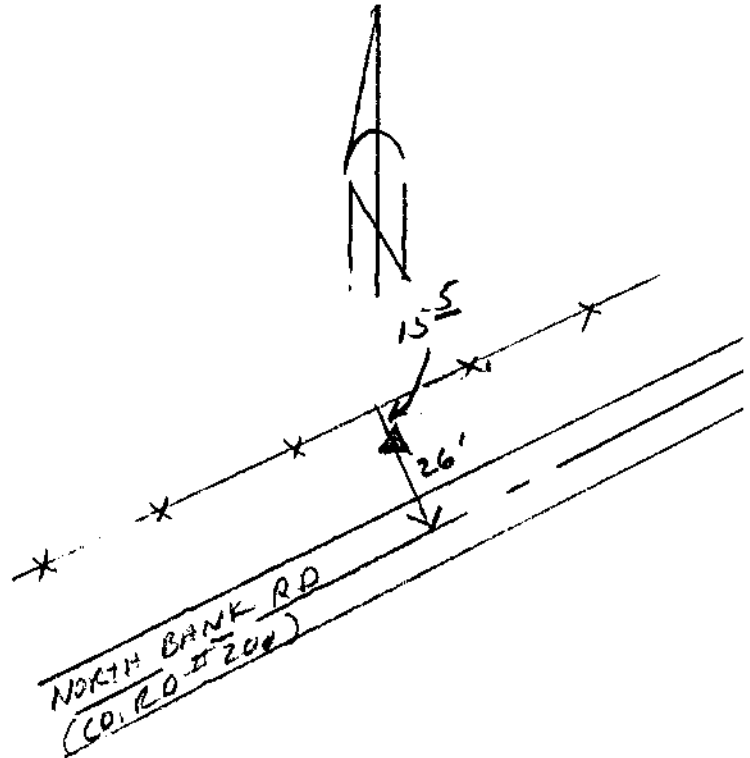
### Description:

A DCSO DRILL CAP STAMPED - PAUL 1999 - SET FLUSH IN TOP OF NORTHEASTERLY END OF LARGE LOW BED-ROCK EXPOSURE APPROX. 3 FT. HIGHER THAN ROAD SURFACE.

### Comments:

FROM THE INTERSECTION OF ECHO BEND DRIVE; CO RD 363 AND NORTH BANK RD; CO RD 200 IN T26S R5W SEC. 23; PROCEED EASTERLY ALONG NORTH BANK ROAD APPROXIMATELY 0.8 MILES TO MONUMENT ON LEFT.

### Notes:



Note: For further information contact the Douglas County Surveyors Office, Room 105A Douglas County Courthouse, Roseburg, OR 97470. Phone 440-4272 or Fax (541)957-8150. Douglas County Residents outside Roseburg calling area, dial toll free 1-800-224-1619.