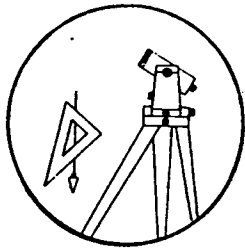
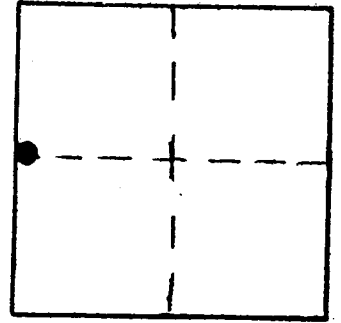


Station: ING T 27 S, R 7 W, Sec 36
 Set By (Agency): DCSO
 Date Set: 1985
 Recovered By RWS, SJF
 Date Recovered March 13, 1985
 Recovered By _____
 Date Recovered _____
 Recovered By _____
 Date Recovered _____



I-007



VERTICAL CONTROL N6YD29

Elevation: 607.325 ft. NGS Line # _____ USGS Line # _____ OSHD Line # _____
 Precision: 2nd. Agency: DCSO Proj. # 2013 Date: 1985

HORIZONTAL CONTROL CORPSCON6 NAVD88 610.788 FT CS66/L1

South Zone State Plane Coordinates: Y(Northing) 565082 X(Easting) 4125062
 Precision: GIS SCALED Agency: DCSO Proj. # _____ Date: 2014
 Approximate Geographic Position: Latitude 43° 10' 42" Longitude 123° 29' 05"

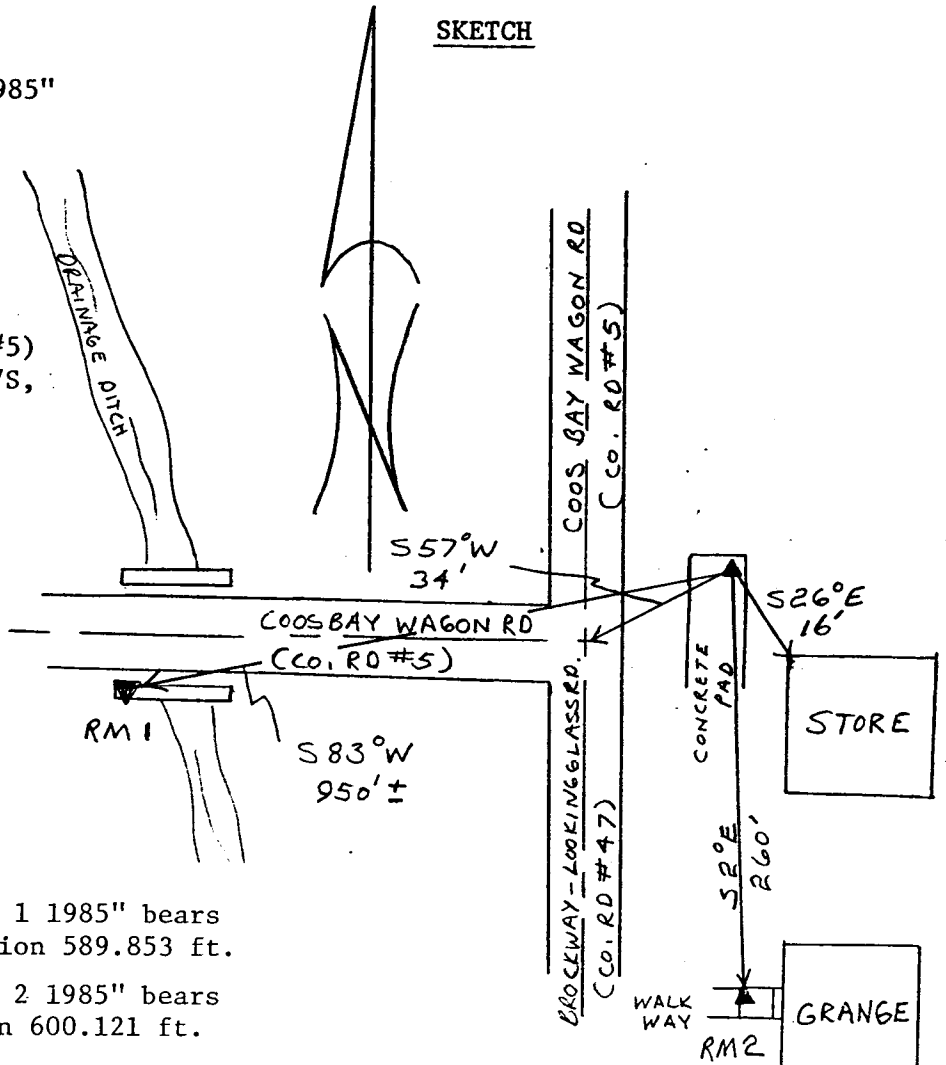
DESCRIPTION and TO REACH

SKETCH

A DCSO disk stamped "ING 1985"
recessed in a concrete slab.

TO REACH:

Go to the intersection of
Lookingglass Rd. (Co. Rd. #47)
and Coos Bay Wagon Rd. (Co. Rd. #5)
at the Lookingglass Store in T27S,
R7W, Sec. 36.



Reference Marks:

A DCSO disk stamped "ING RM 1 1985" bears
S83°W, 950 ft.± (geod.), elevation 589.853 ft.
 A DCSO disk stamped "ING RM 2 1985" bears
S02°E, 260 ft. (geod.), elevation 600.121 ft.

Note: For further information, contact the Douglas County Surveyor's Office, Room 205
Douglas County Justice Building, Roseburg, OR 97470. Phone 440-4278. Douglas
County residents outside the Roseburg calling area, dial toll free 1-800-452-0991.