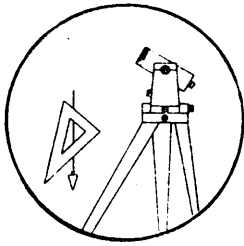
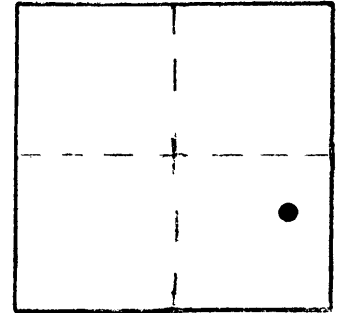


OFFICE OF THE
DOUGLAS COUNTY SURVEYOR



H-059

Station: H 10 T 25 S, R 5 W , Sec 31
 Set By (Agency): USGS
 Date Set: 1903
 Recovered By RWS, SJF
 Date Recovered 5/9/89
 Recovered By _____
 Date Recovered _____
 Recovered By _____
 Date Recovered _____



VERTICAL CONTROL NGVD 29

Elevation: 487.043 NGS Line # _____ USGS Line # _____ OSHD Line # _____
 Precision: 2nd Agency: DCSO Proj. # 2007 Date: 1990

HORIZONTAL CONTROL

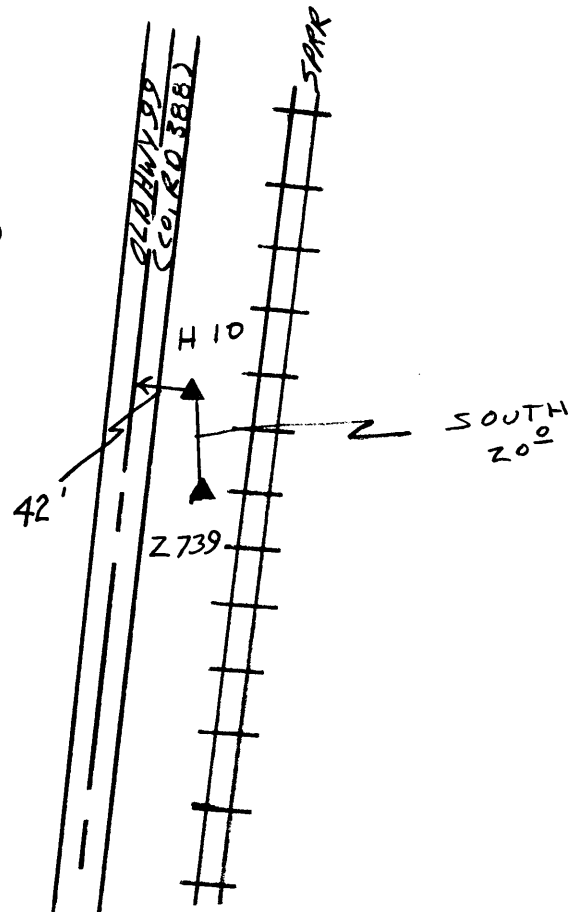
South Zone State Plane Coordinates: Y(Northing) _____ X(Easting) _____
 Precision: _____ Agency: _____ Proj. # _____ Date: _____
 Approximate Geographic Position: Latitude _____ Longitude _____

DESCRIPTION and TO REACH

A 3 3/4 in. dia. USGS disk stamped "H10 486 416 486" set flush in top of a 1ft. by 1ft. by 1ft. tall loose on top of ground concrete post.

From the intersection of State Hwy. 99 (Co.Rd.#388) and Deady Rd. (Co.Rd.#211), in T25S,R5W,Sec.31, proceed southerly along State Hwy. 99 approx. 0.2 miles to monument on left.

SKETCH



Reference Marks:

Note: For further information, contact the Douglas County Surveyor's Office, Room 205 Douglas County Justice Building, Roseburg, OR 97470. Phone 440-4278. Douglas County residents outside the Roseburg calling area, dial toll free 1-800-452-0991.