

OFFICE OF THE  
DOUGLAS COUNTY SURVEYOR

Station: D 749

T26S R6W Sec. 24

Date Set: 1987

Set By (Agency): NGS

DCSO Designation: D-082

Date Recovered: 3-10-93

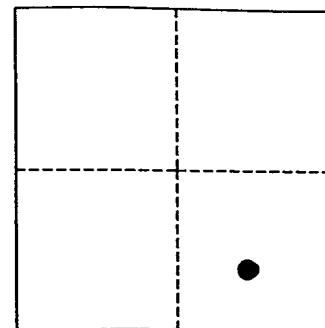
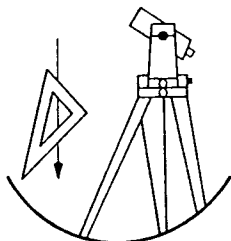
Recovered By: RWS,SJF

Date Recovered: \_\_\_\_\_

Recovered By: \_\_\_\_\_

Date Recovered: \_\_\_\_\_

Recovered By: \_\_\_\_\_



VERTICAL CONTROL

~~NAVD 88~~ Elevation: 567.149 FEET      NAVD 88 Elevation: 172.867 METERS

NGS Line # L25035      USGS LINE # \_\_\_\_\_      OSHD Line # \_\_\_\_\_      FILE # \_\_\_\_\_

Precision: 1ST ORDER      Agency: NGS      Proj: \_\_\_\_\_      Date: 1988

HORIZONTAL CONTROL

O.C.S. 27      Y(Northing): \_\_\_\_\_      O.C.S. 83      Y(Northing): 605046

(South Zone)      X(Easting): \_\_\_\_\_      (South Zone)      X(Easting): 4162036

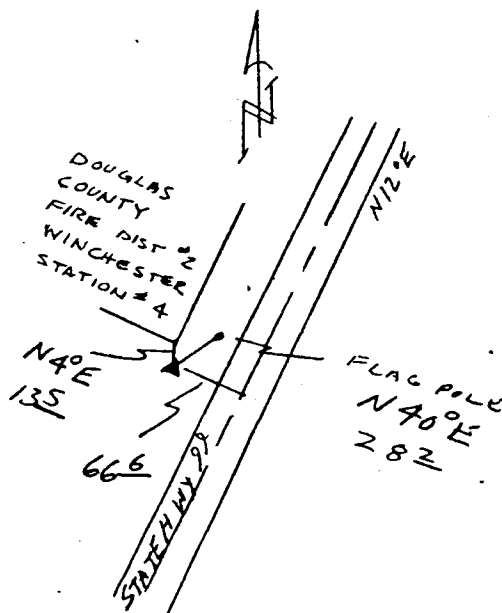
Precision: GIS SCALED      Agency: DCSO      Proj: \_\_\_\_\_      Date: 2014

Approx. O.C.S. 27 Geographic Position:      Latitude: 43°17'30"      Longitude: 123°21'04"

Approx. O.C.S. 83 Geographic Position:      Latitude: \_\_\_\_\_      Longitude: \_\_\_\_\_

Found: A 9/16 inch diameter stainless steel rod under a 7 inch diameter aluminum access cover, access rim stamped "D 749 1987" set 10 inches below ground, iron boat spike placed on top of access cover for metal detection.

To reach: Go to Douglas County Fire District #2 Winchester station #4 approx. 500 feet northerly of State Hwy 99 and Umpqua College Rd. (Co. Rd. #284) in T26S R6W Sec.24



Note: For further information contact the Douglas County Surveyors Office, Room 205 Douglas County Justice Building, Roseburg, OR 97470. Phone 440-4272. Douglas County Residents outside Roseburg calling area, dial toll free 1-800-477-0991.