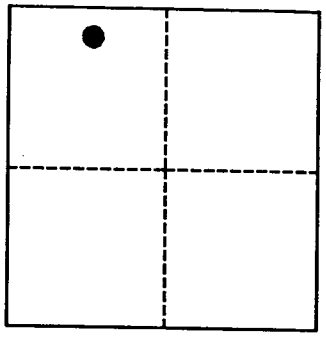
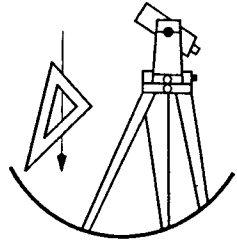


OFFICE OF THE
DOUGLAS COUNTY SURVEYOR

Station: D 472
 Date Set: 1941
 Set By (Agency): USC&GS
 DCSO Designation: D-005
 Date Recovered: 8-93
 Recovered By: RWS S.JF
 Date Recovered: _____
 Recovered By: _____
 Date Recovered: _____
 Recovered By: _____

T22S R5W Sec. 9



VERTICAL CONTROL

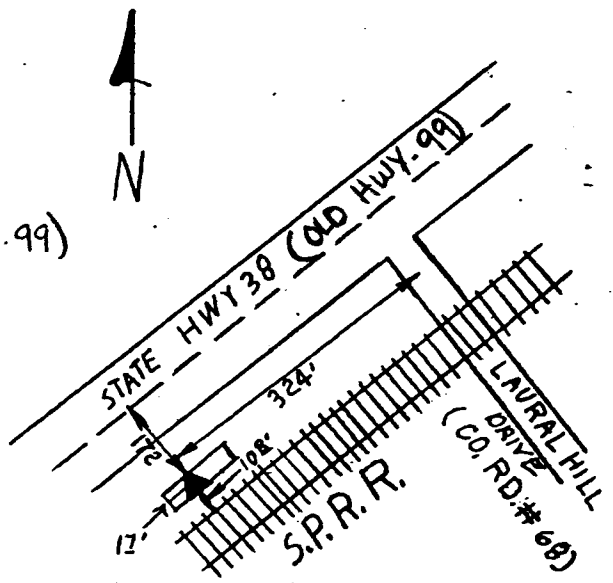
NGVD 29 Elevation: 303.822 FEET NAVD 88 Elevation: 307.441 FT METERS
 NGS Line # L25035 USGS LINE # _____ OSHD Line # _____ FILE # _____
 Precision: 1ST ORDER Agency: NGS Proj: _____ Date: 1988

HORIZONTAL CONTROL

O.C.S. 27 Y(Northing): _____ O.C.S. 83 Y(Northing): 745384
 (South Zone) X(Easting): _____ (South Zone) X(Easting): 4180114
 Precision: GIS SCALED Agency: DCSO Proj: _____ Date: 2014
 Approx. O.C.S. 27 Geographic Position: Latitude: 43°40'40" Longitude: 123°18'02"
 Approx. O.C.S. 83 Geographic Position: Latitude: _____ Longitude: _____

Found: A 3 - 1/2 inch diameter USC&GS disk stamped "D 472 1941" set flush in a concrete head wall.

To reach: From the intersection of State Hwy 38 and Laurel Hill Dr. (Co. Rd. #68) in T22S R5W Sec9, (SPRR tracks are near intersection) proceed southwesterly along SPRR tracks 324 feet to monument on west side of tracks.



Note: For further information contact the Douglas County Surveyors Office, Room 205 Douglas County Justice Building, Roseburg, OR 97470. Phone 440-4272. Douglas County Residents outside Roseburg calling area, dial toll free 1-800-477-0991.