

Douglas County Geodetic Data Sheet

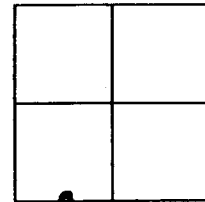
T 26 R 05 WS 14 C

Station: CAUBLE

Designation: C-162

Date Set: 1999 Set By (Agency): DCSO

Last Date Recovered: 06/21/1999



VERTICAL CONTROL

NGVD 29 Elevation: 549.04 Feet

Precision: 3RD ORDER Agency: DCSO

CS File: 66025

Date: 1999

NAVD 88 Elevation: 552.54 FT.

Precision: Agency:

CS File:

Date:

CORPSCON6 NAVD88

HORIZONTAL CONTROL

OCS 27 Y(Northing): X(Easting): Lat 43° 18' 06.1" Long: 123° 15' 35.9"

Precision: GIS Agency: CS File: 66025 Date:

OCS 83 Y(Northing): 607960 X(Easting): 4186422 Lat Long:

Precision: GIS SCALED Agency: DCSO CS File: Date: 2014

OCS 83/91 Y(Northing): X(Easting): Lat 43° 18' 05.5" Long: 123° 15' 40.2"

Precision: GIS Agency: CS File: 66025 Date:

OCS 83/98 Y(Northing): X(Easting): Lat Long:

Precision: Agency: CS File: Date:

Scaled Lat 43° 18' 06" Long: 123° 15' 36"

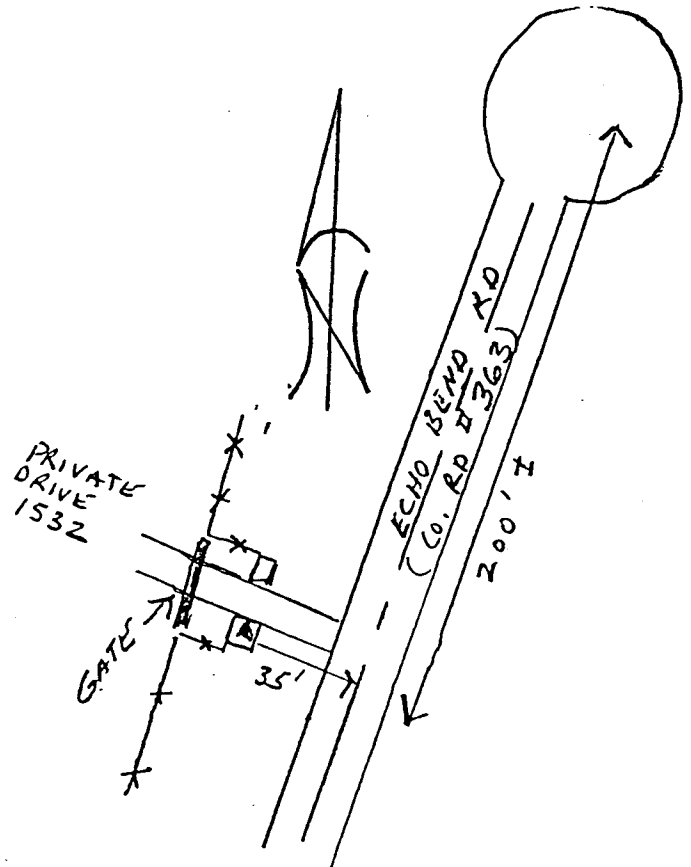
Description:

DCSO BRASS CAP SET IN 2 X 2 FT CONCRETE FENCE POST FOOTING; STAMPED - CAUBLE 1999.

Comments:

FROM THE INTERSECTION OF NORTH BANK RD;
CO RD 200 AND ECHO BEND RD; CO RD 363 - IN
T26S R5W SEC. 23 - PROCEED
NORTHWESTERLY ALONG ECHO BEND RD TO
APPROX. 200 FT FROM END TO MONUMENT ON
LEFT IN CONCRETE PAD.

Notes:



Note: For further information contact the Douglas County Surveyors Office, Room 105A Douglas County Courthouse, Roseburg, OR 97470. Phone 440-4272 or Fax (541)957-8150. Douglas County Residents outside Roseburg calling area, dial toll free 1-800-224-1619.