

OFFICE OF THE
DOUGLAS COUNTY SURVEYOR

Station: N 1/4

T 28 S, R 7 W , Sec 6

Set By (Agency): GLO

Date Set: 1924

Recovered By RS,SJF

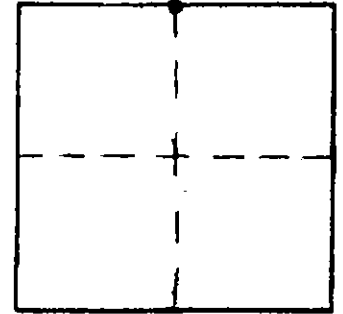
Date Recovered Sept. 13, 1984

Recovered By

Date Recovered

Recovered By

Date Recovered



890-07W-05-005 REF 07W 05
N 1/4

NAD 563686.70 4102082.15
43°10'20" 123°34'14"

VERTICAL CONTROL

Elevation: NGS Line # USGS Line # OSHD Line #

Precision: Agency: Proj. # Date:

HORIZONTAL CONTROL

South Zone State Plane Coordinates: Y(Northing) 563,700.97 X(Easting) 1,181,129.31

Precision: 1/5,000 Agency: DCSO Proj. # 0002 Date: 1972

Approximate Geographic Position: Latitude 43°10'20" Longitude 123°34'14"

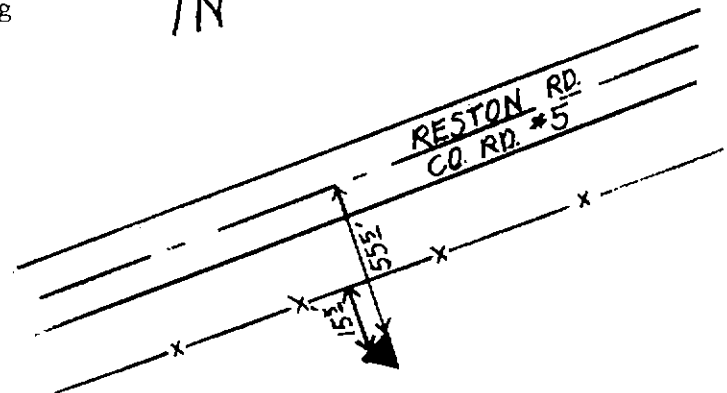
DESCRIPTION and TO REACH

SKETCH

A General Land Office disk stamped "1/4 S6 1924" set on a 1 inch iron pipe protruding 16 inches above the ground.

TO REACH:

From the intersection of Flournoy Valley Road (Co. Rd. #51) and Reston Road (Co. Rd. #5) in T27S,R7W,Sec. 32, proceed southwesterly along Reston Road approximately 1.2 miles to monument on left.



*See Douglas County corner renewal records for accessory information.

Reference Marks:

Note: For further information, contact the Douglas County Surveyor's Office, Room 205 Douglas County Justice Building, Roseburg, OR 97470. Phone 440-4278. Douglas County residents outside the Roseburg calling area, dial toll free 1-800-452-0991.