

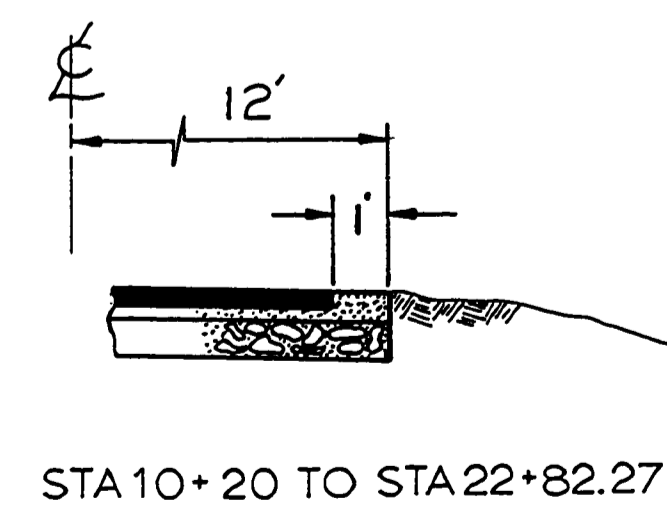
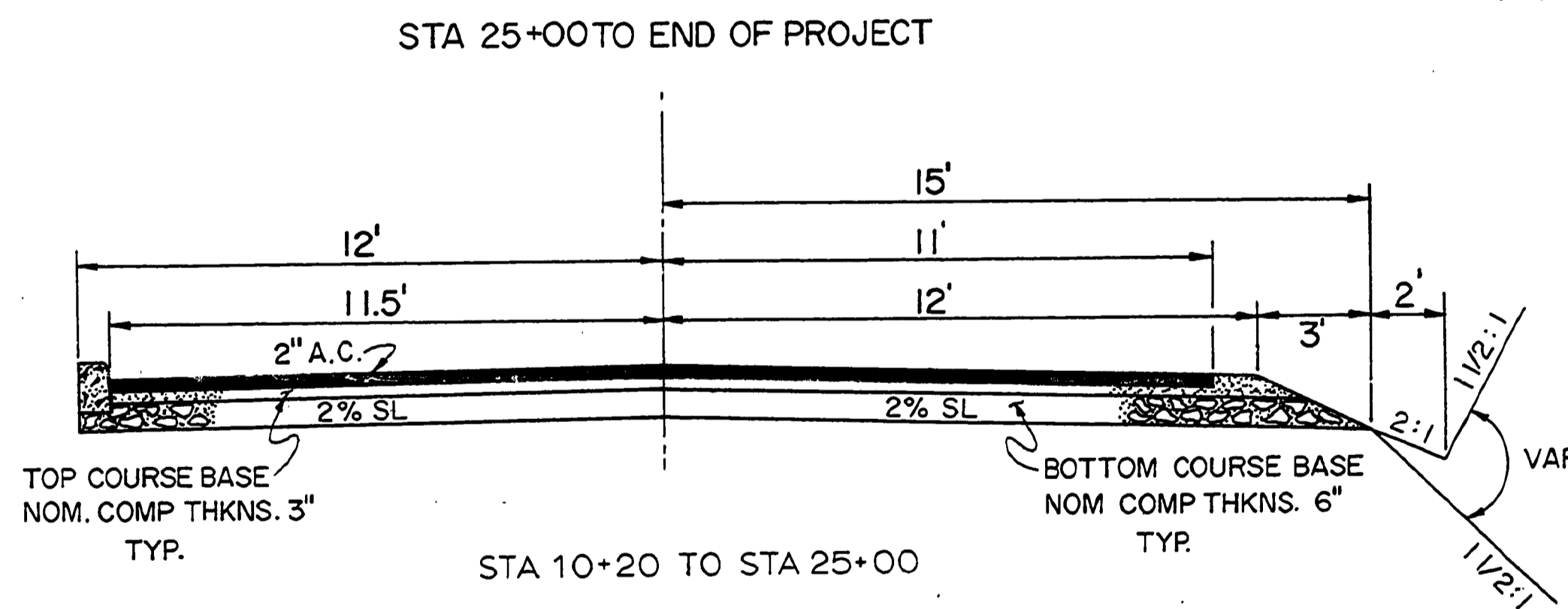
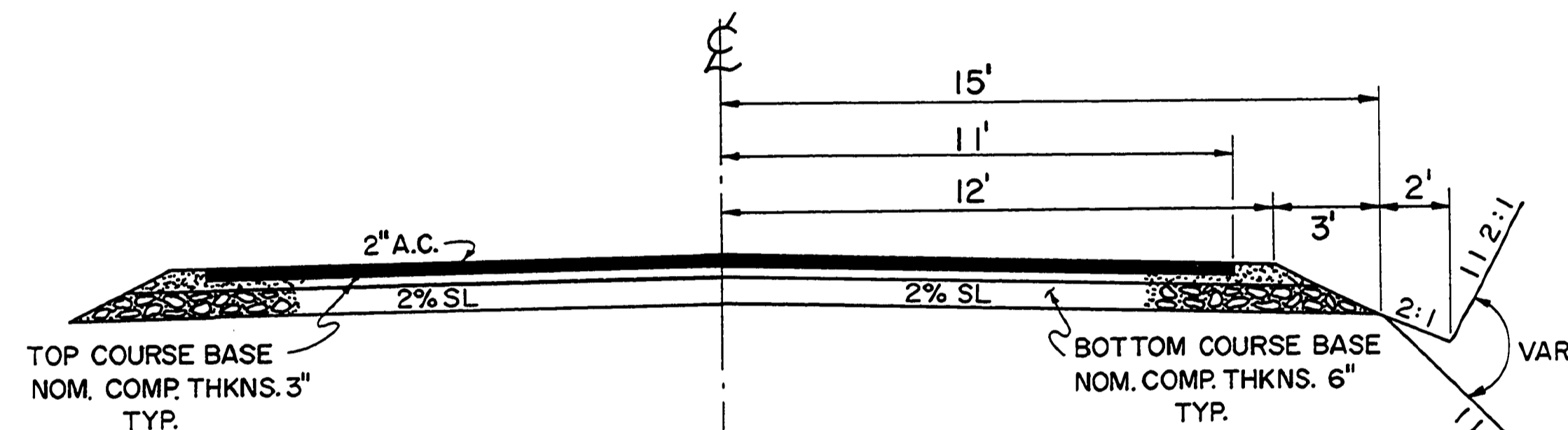
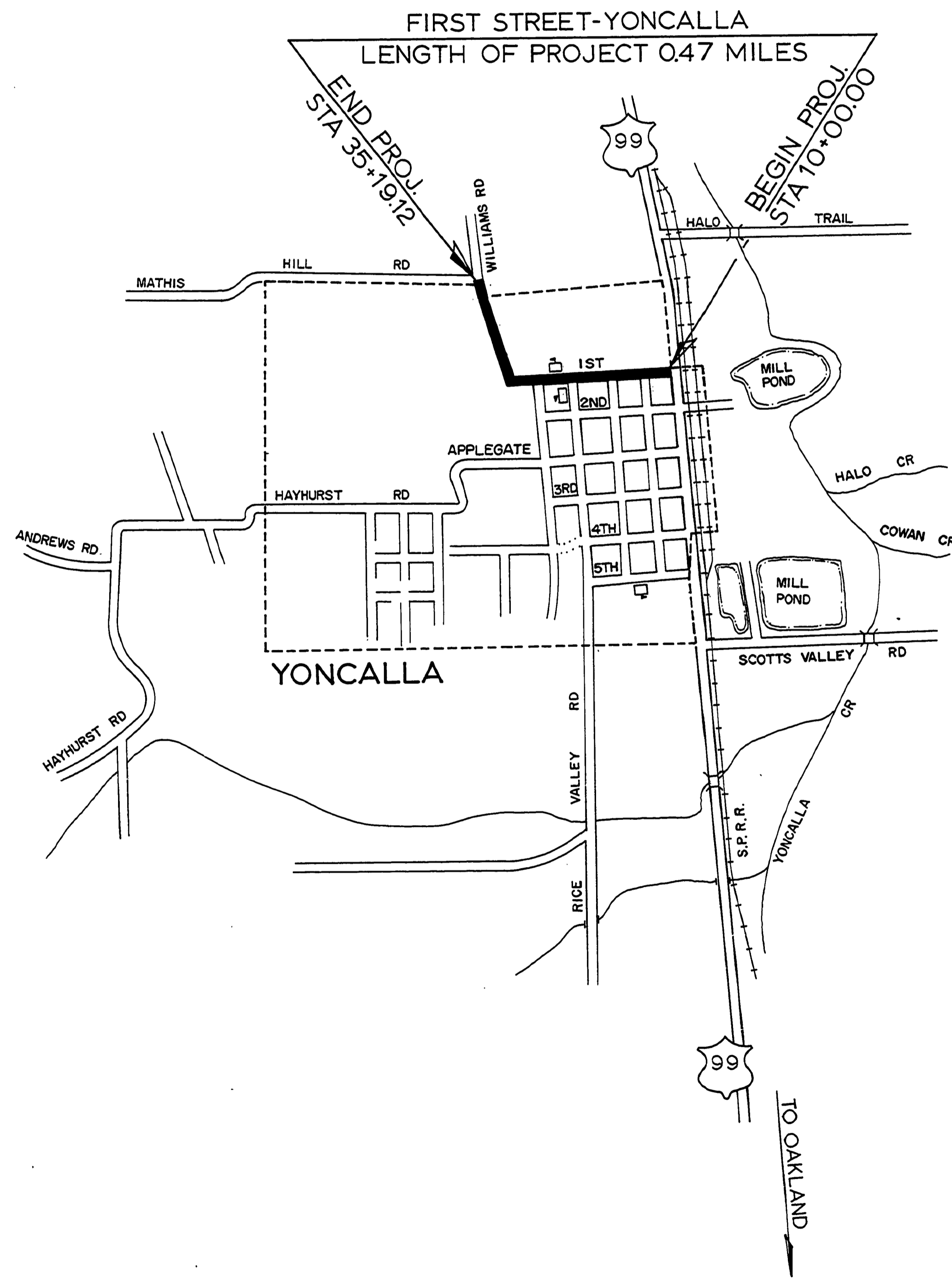
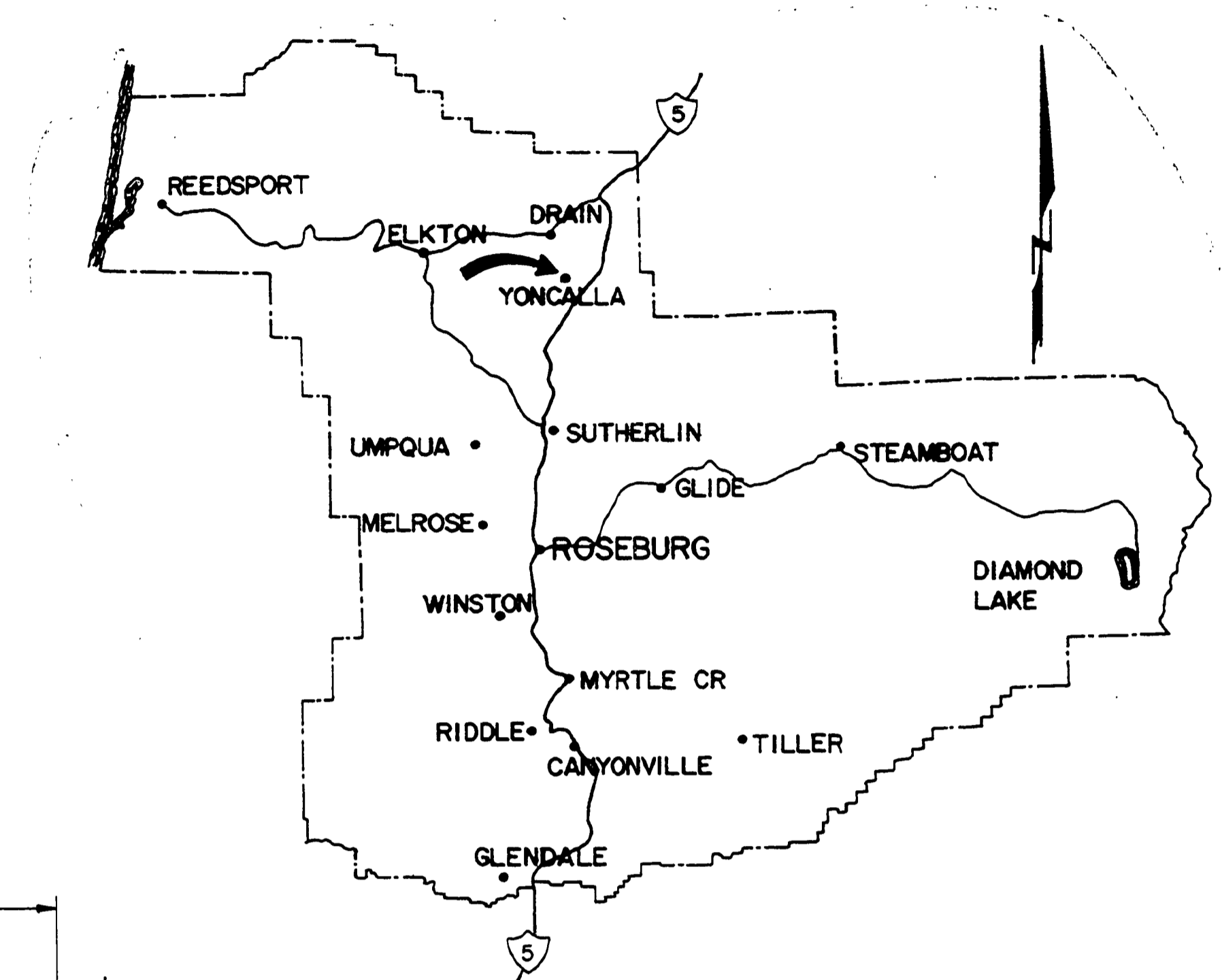
# DOUGLAS COUNTY, OREGON

## PLANS FOR PROPOSED PROJECT

### GRADING & SURFACING

# FIRST STREET-YONCALLA

## MAY 1971

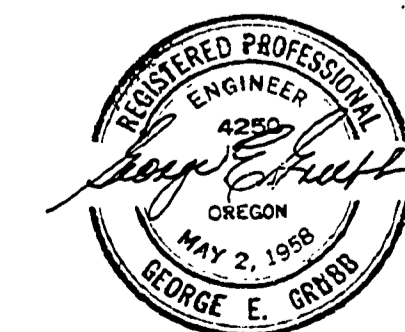


### INDEX OF DRAWINGS

SHEET NUMBER	TITLE
1	TITLE SHEET & TYPICAL SECTIONS
2	QUANTITY SUMMARY
3	PIPE LIST
4,5	ROAD PLANS
6,7	STORM SEWER
STANDARD DRAWINGS # 2,9	
TOTAL OF 9 SHEETS	

NOTE:  
R/W ACQUIRED BY DEEDS

AS CONSTRUCTED *S.A.B.*



DOUGLAS COUNTY ROAD DEPT.  
FIRST STREET - YONCALLA  
MAY 1971 SHT. 1  
GEORGE E. GRUBB COUNTY ENG.