

LEGEND

PROPOSED	EXISTING	PROPOSED	EXISTING
SS (circle with S)	SS (circle with S)	G (line)	G (line)
ST (circle with S)	ST (circle with S)	UP (line)	UP (line)
CB (square)	CB (square)	T (line)	T (line)
FH (circle with cross)	FH (circle with cross)	CG (line)	CG (line)
GV (circle with X)	GV (circle with X)	W (square)	W (square)
SLB (circle with dot)	SLB (circle with dot)	PL (line)	PL (line)
10" W (line)	8" W (line)	R/W (line)	R/W (line)
ST > (line)	SD (line)	EB (line)	EB (line)
SS > (line)	SS (line)	EP (line)	EP (line)
EC (line)	EC (line)	EG (line)	EG (line)
SB (line)	SB (line)	CP (circle)	CP (circle)
SCO (circle)	SCO (circle)		

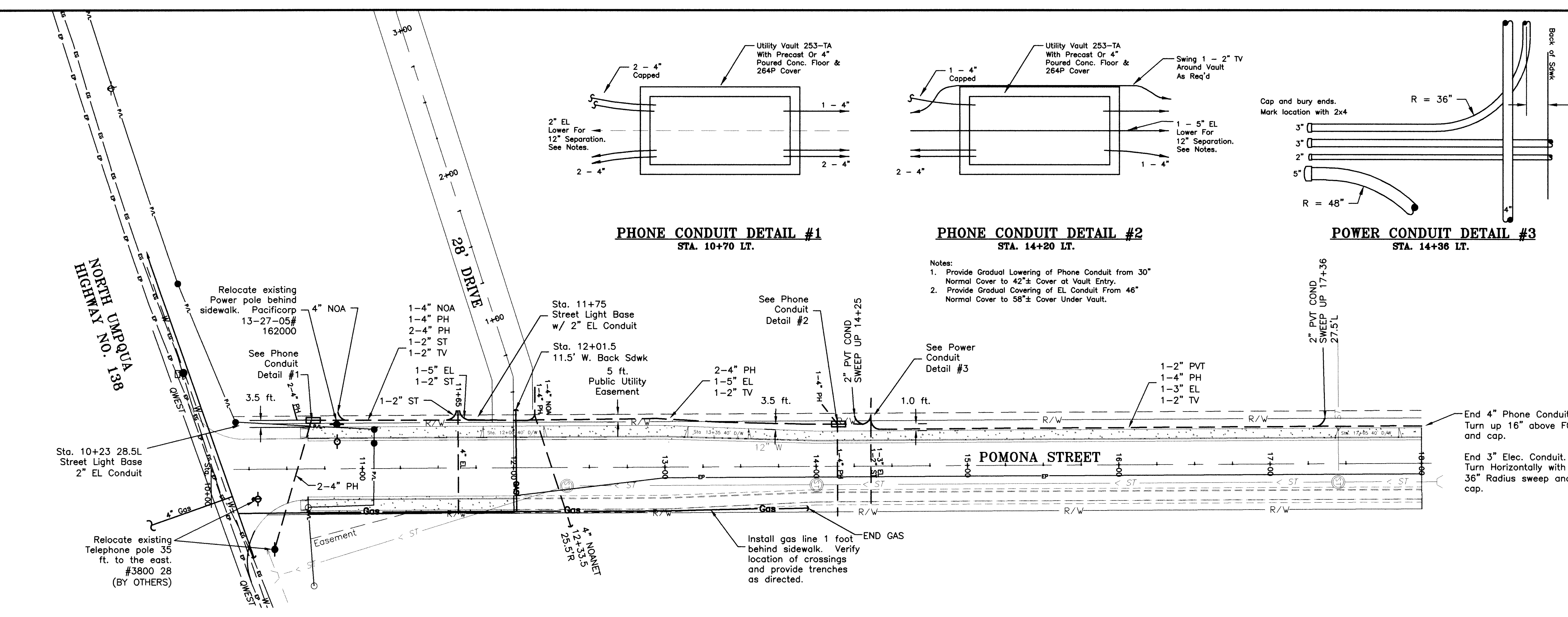
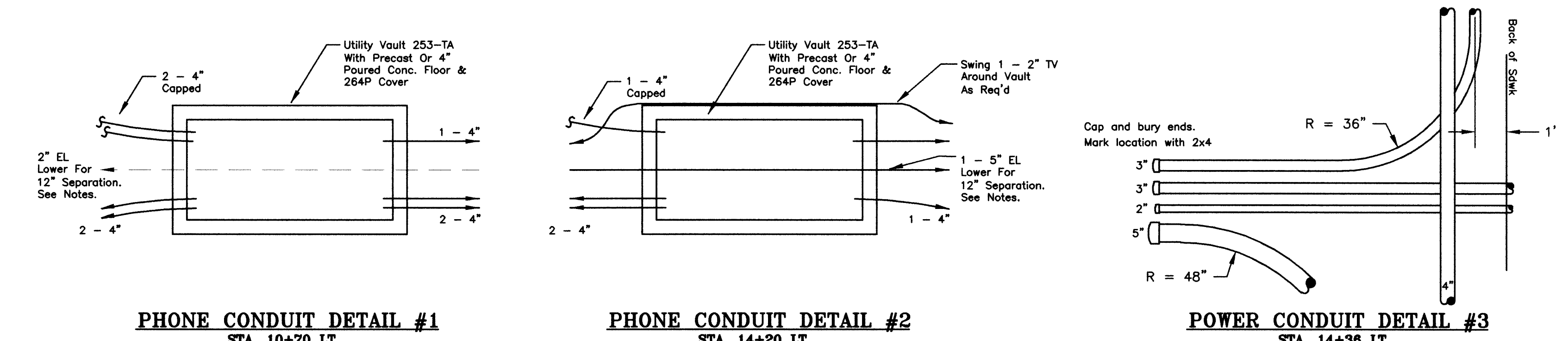
FILED
 Date: 11-2-2006 By: JP
 This survey consists of:
 Map: SC 09 2003-075
 Narrative:
 Corner Rpt:
 DOUGLAS COUNTY SURVEYOR



SURVEYING & ENGINEERING, INC.
 ENGINEERING • SURVEYING • PLANNING
 3075 NE DIAMOND LAKE BLVD.
 ROSEBURG, OREGON 97170
 TEL (541) 672-2086
 FAX (541) 672-0811

FOR CONST.	7-24-01
AS BUILT	1-07-03
Revision	Date
Revision	Date

MPS	DH	HP	DH
Drawn	Design	Checked	Reviewed



ATTENTION : OREGON LAW REQUIRES YOU TO FOLLOW RULES ADOPTED BY THE OREGON UTILITY NOTIFICATION CENTER. THOSE RULES ARE SET FORTH IN OAR 952-001-0010 THROUGH 952-001-0090. YOU MAY OBTAIN COPIES OF THE RULES BY CALLING THE CENTER AT 1-800-332-2344. CALL BEFORE YOU DIG.

CITY PUBLIC WORKS INSPECTION SCHEDULE
 THE CITY OF ROSEBURG SHALL BE NOTIFIED FOR INSPECTION AT LEAST 24 HOURS PRIOR TO THE ACCOMPLISHMENT OF THE FOLLOWING STAGES OF CONSTRUCTION (PHONE: 672-7701 FAX: 672-2785):

- ANY STORM SEWER CONSTRUCTION (INCLUDING STRUCTURES).
- FINISHED SUB-GRADE (PRIOR TO FABRIC INSTALLATION).
- SOIL STABILIZATION FABRIC INSTALLATION.
- ALL CONCRETE WORK.
- FINISHED BASE COURSE GRADE PAVING.
- NONE OF THE ABOVE ITEMS OF WORK SHALL BE COVERED UNTIL INSPECTED BY THE CITY OF ROSEBURG PUBLIC WORKS DEPARTMENT.

DATE: 12/01/00

TITLE: WATER SYSTEM AND UTILITY SCHEMATIC
 PROJECT NAME: POMONA STREET IMPROVEMENT PROJECT

AA# 2339.2

SHT. 4
 OF 6