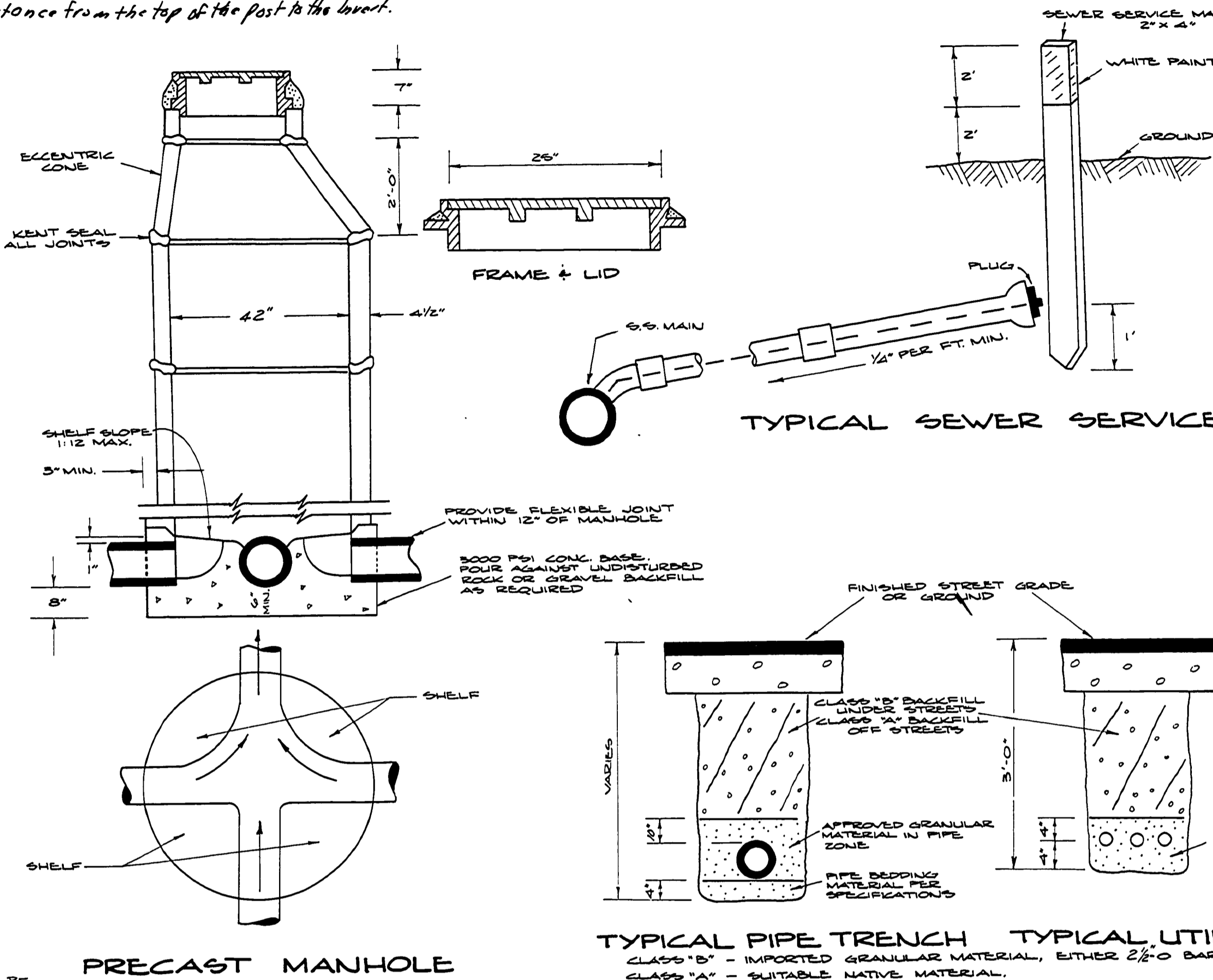
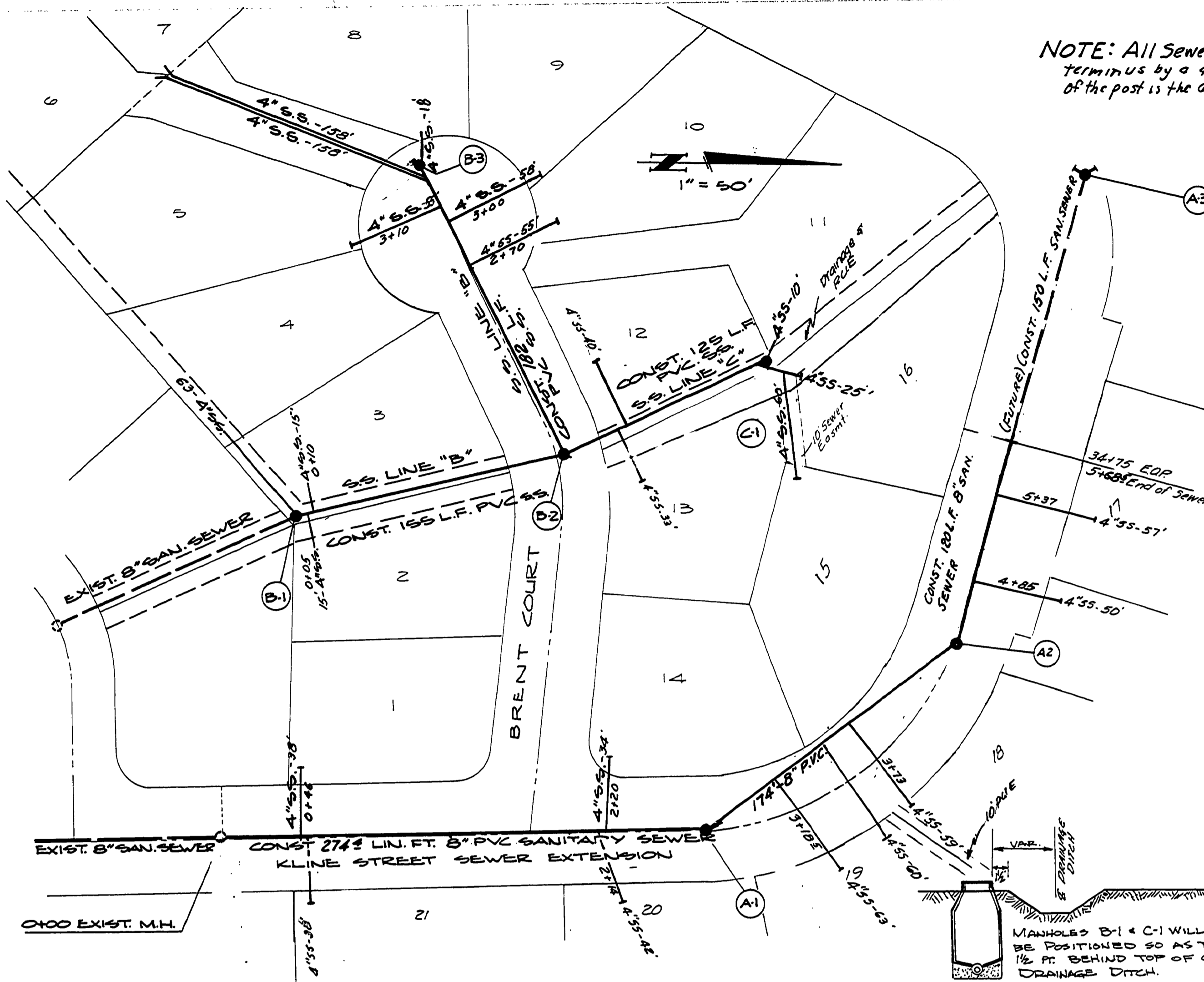
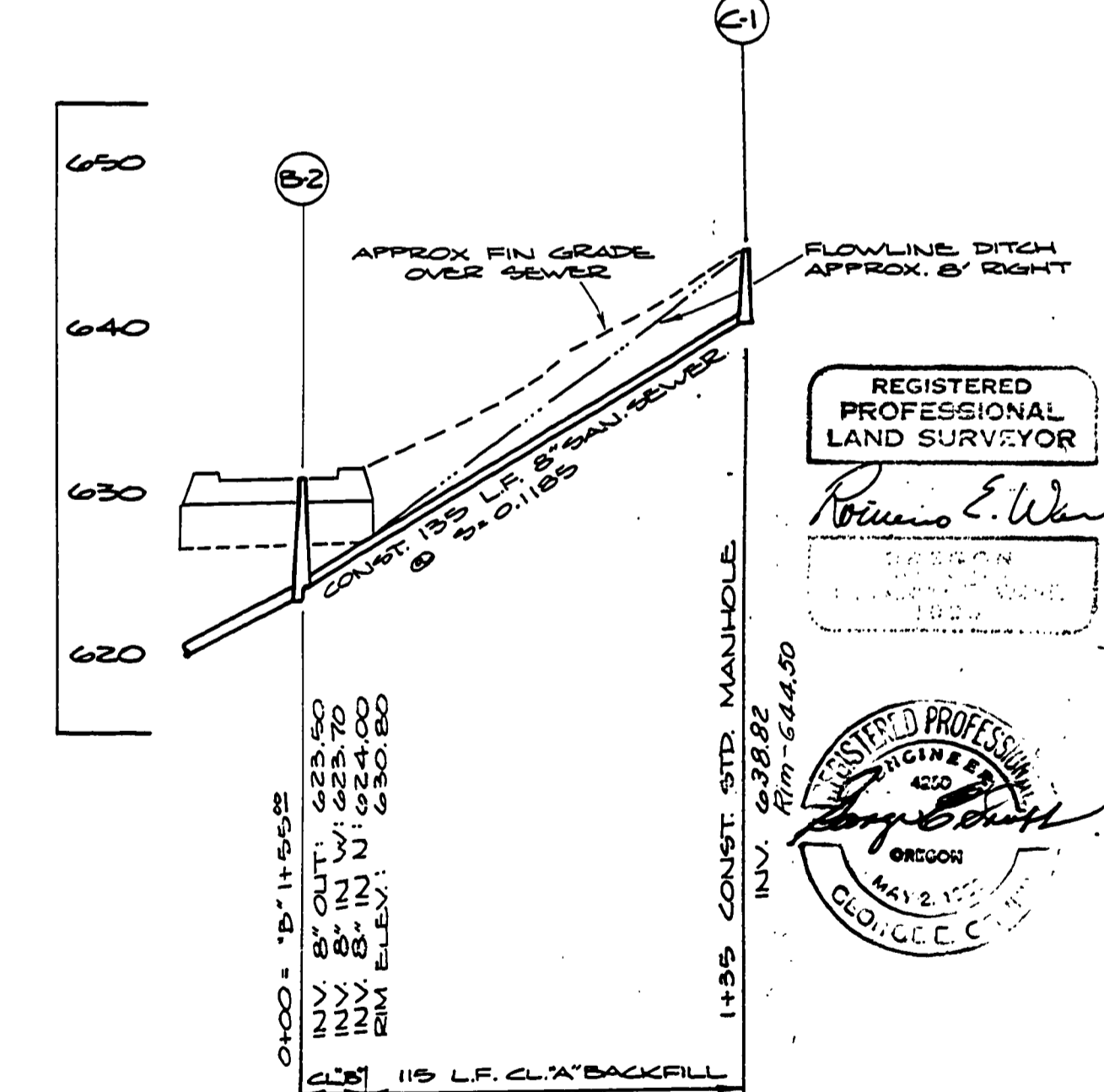
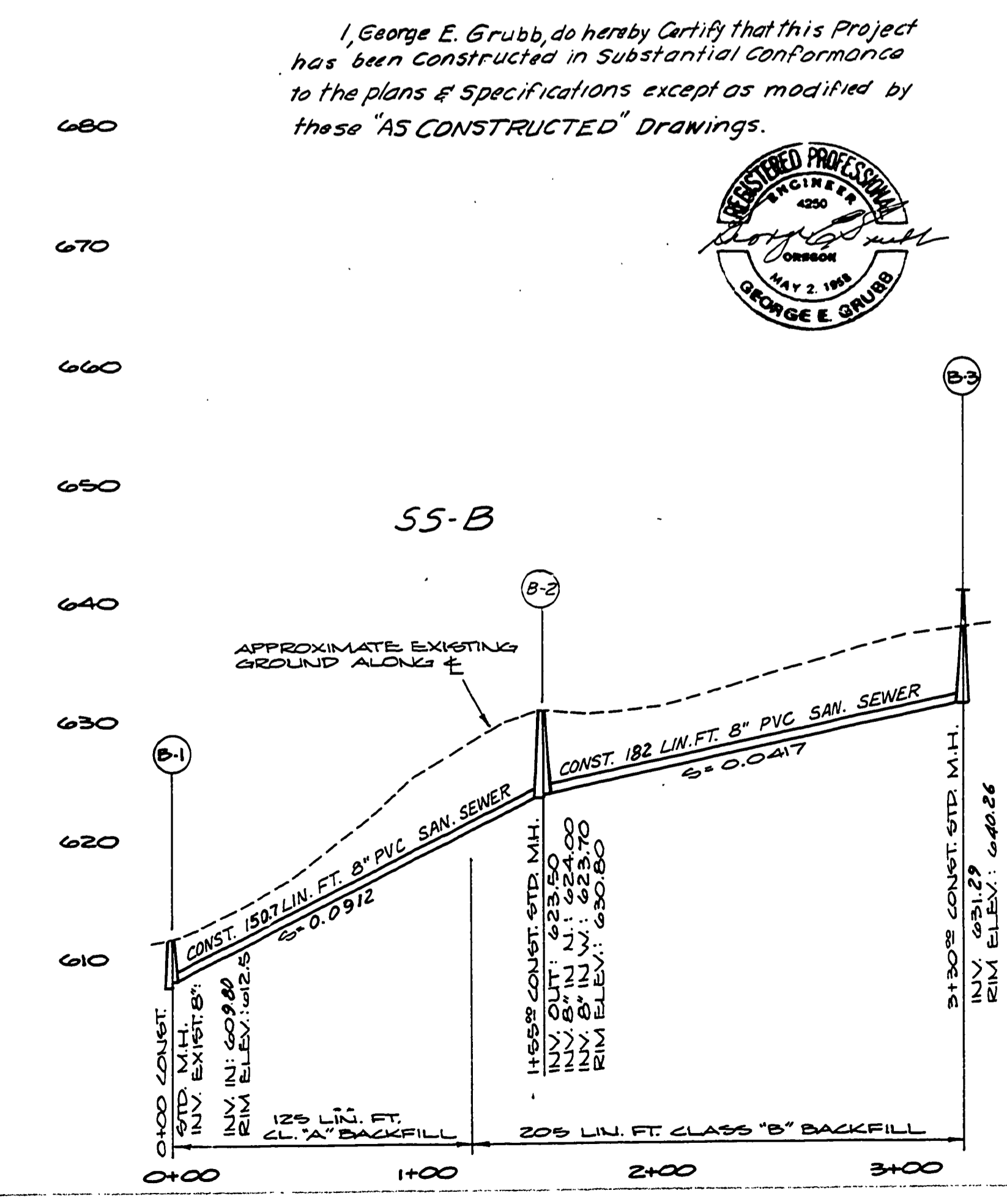
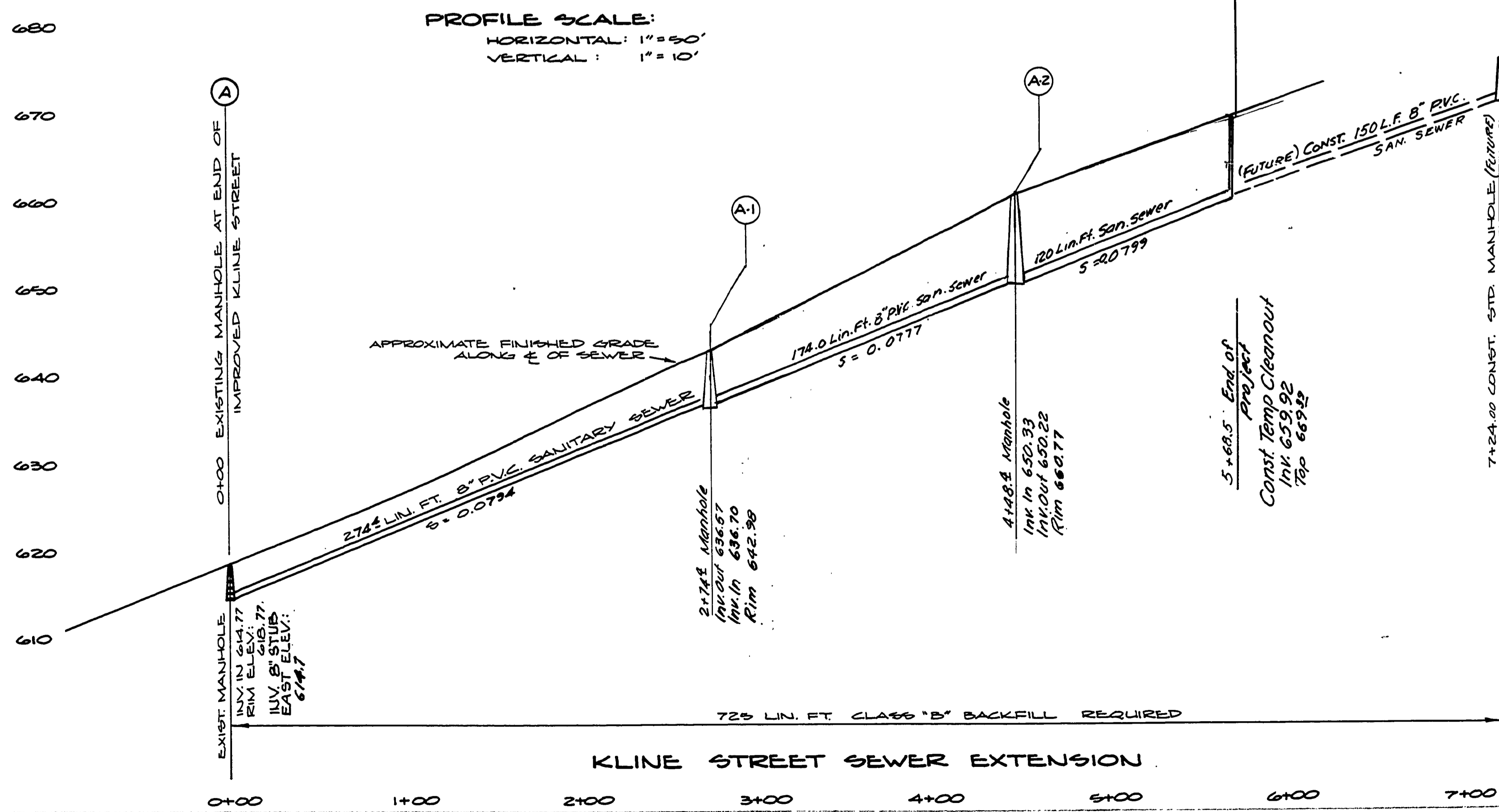


SECTION 11, T27S, R6W, W.M.

NOTE: All Sewer Stubs (A) are referenced at the terminus by a 4"x4" post. The number at the top of the post is the distance from the top of the post to the invert.



- NOTES**
- GENERAL**
- ALL WORK SHALL BE IN CONFORMANCE WITH STANDARDS, SPECIFICATIONS AND DETAILS OF THE DOUGLAS COUNTY PUBLIC WORKS DEPARTMENT.
 - WATER AND SEWER PIPES SHALL BE INSTALLED IN ACCORDANCE WITH REGULATIONS AND SPECIFICATIONS OF THE AGENCIES GOVERNING THEIR INSTALLATIONS.
 - CONCRETE SHALL BE CLASS 3000 (1/2" MAX AGGREGATE SIZE).
 - CATCH BASINS SHALL BE DOUGLAS COUNTY STD TYPE A, WHICH BY REFERENCE HEREIN SHALL BE MADE A PART OF THESE PLANS.
- SANITARY SEWERS**
- IN ADDITION TO GENERAL NOTE 1, SANITARY SEWER CONSTRUCTION SHALL CONFORM TO THE REQUIREMENTS OF THE ROSEBURG URBAN SANITARY AUTHORITY STANDARDS AND SPECIFICATIONS.
 - SANITARY SEWER PIPE SHALL BE PVC, ASTM D2034, SDR 35.
 - SANITARY SEWERS SHALL BE AIR OR EXFILTRATION TESTED IN ACCORDANCE WITH STANDARD SPECIFICATIONS, AFTER COMPACTING BACKFILL.
 - WHENEVER A CROSSING SEWER LINE IS LESS THAN 18" LOWER THAN A WATER LINE, THE SEWER LINE SHALL BE DUCTILE IRON PIPE 9" EACH SIDE OF THE WATER LINE.
 - TRENCH BACKFILL SHALL BE CLASS "B" (BANK-RUN GRAVEL PASSING 20# SCREEN) UNDER ALL STREETS, CURBS AND CLASS "A" (SUITABLE UNGRAVATED MATERIAL) ELSEWHERE. ALL TRENCHES WILL BE COMPACTED IN ACCORDANCE WITH ROSEBURG URBAN SAN. AUTHORITY SPECIFICATIONS.
- PAVING**
- STREET SUBGRADE AND BASE SHALL BE COMPACTED TO 95% RELATIVE COMPACTION. UNSUITABLE OR UNDESIRABLE MATERIAL SHALL BE REMOVED AND REPLACED WITH SUITABLE SELECTED MATERIAL IN ACCORDANCE WITH DOUGLAS COUNTY SPECIFICATIONS.
- WATER**
- THE CONTRACTOR SHALL COORDINATE WATER SERVICE WITH THE CITY OF ROSEBURG.
- UTILITIES**
- THE CONTRACTOR SHALL LOCATE AND PROTECT ALL EXISTING UTILITIES. THE CONTRACTOR SHALL CONTACT AND COORDINATE WITH PACIFIC POWER & LIGHT AND PACIFIC NORTHWEST BELL TELEPHONE COMPANIES TO PROVIDE UNDERGROUND SERVICE TO THE SUBDIVISION.



AS CONSTRUCTED APRIL 1987

INDEX & NOTES		SCALE 1" = 50'
SANITARY SEWER DESIGN		FEB. 84
PROJECT WAREWOOD VALLEY FIRST ADDITION		DESIGNED BY CHECKED BY
GEORGE E. GRUBB, P.E. 3047 DOERNER RD. ROSEBURG, OREGON 97470 PHONE: (503) 673-8830		DRAWING NO. 1

1 OF 3 SHEETS