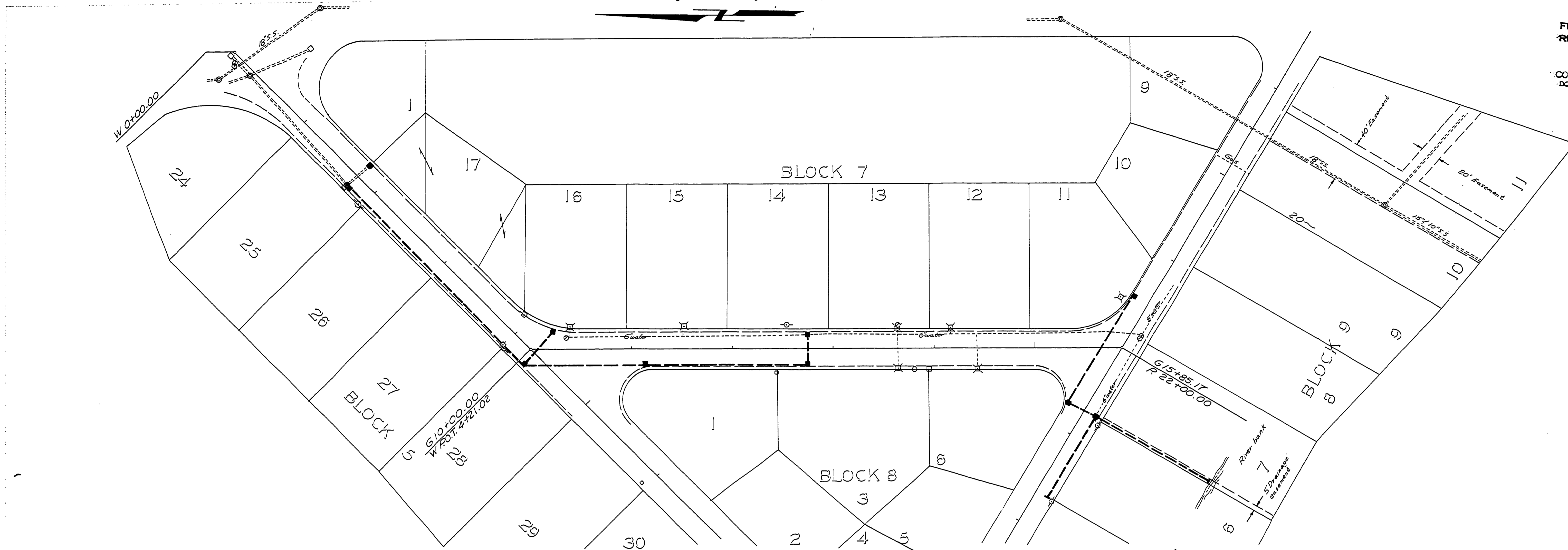
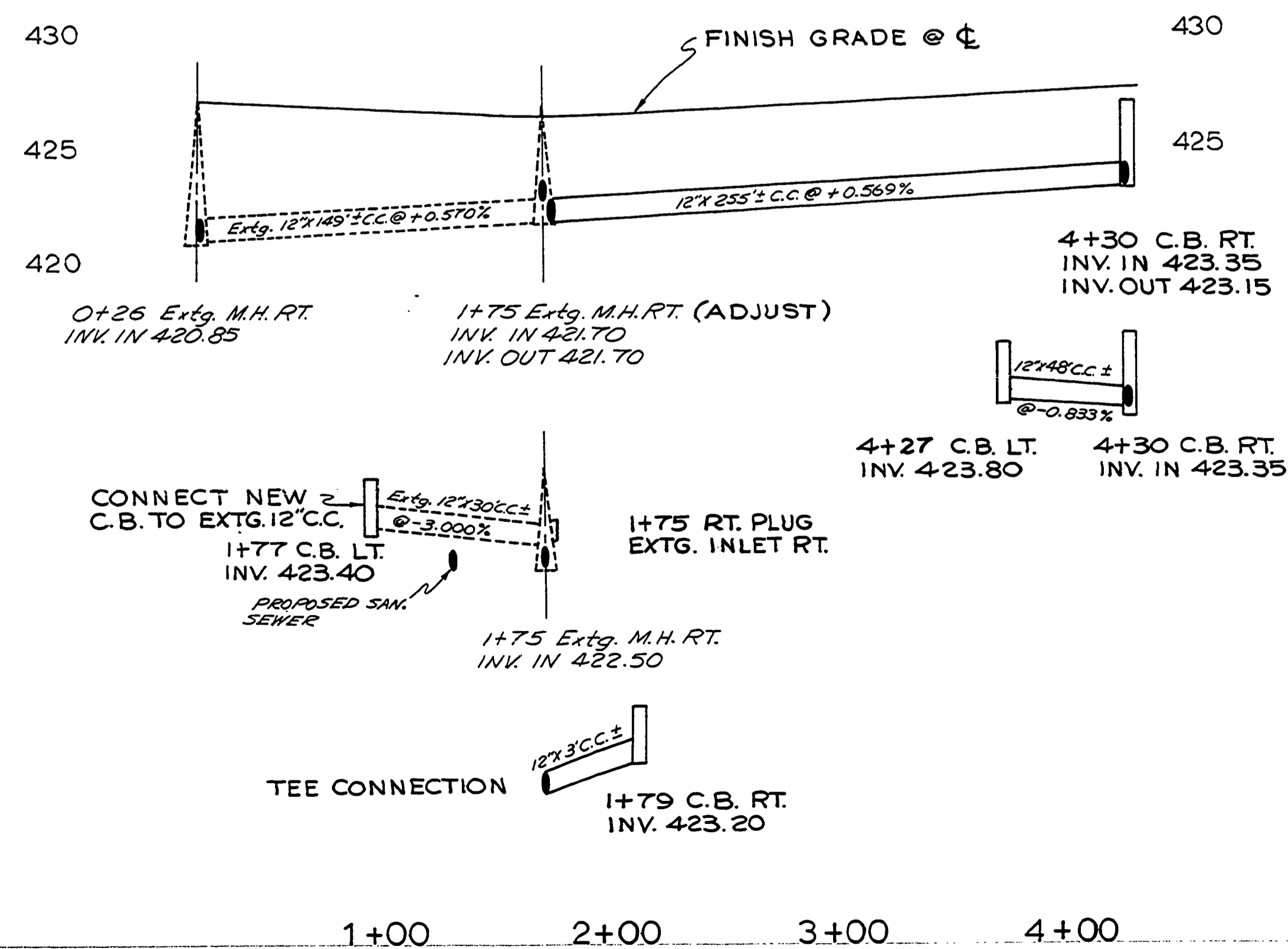


S14, T27S, R6W, W.M.

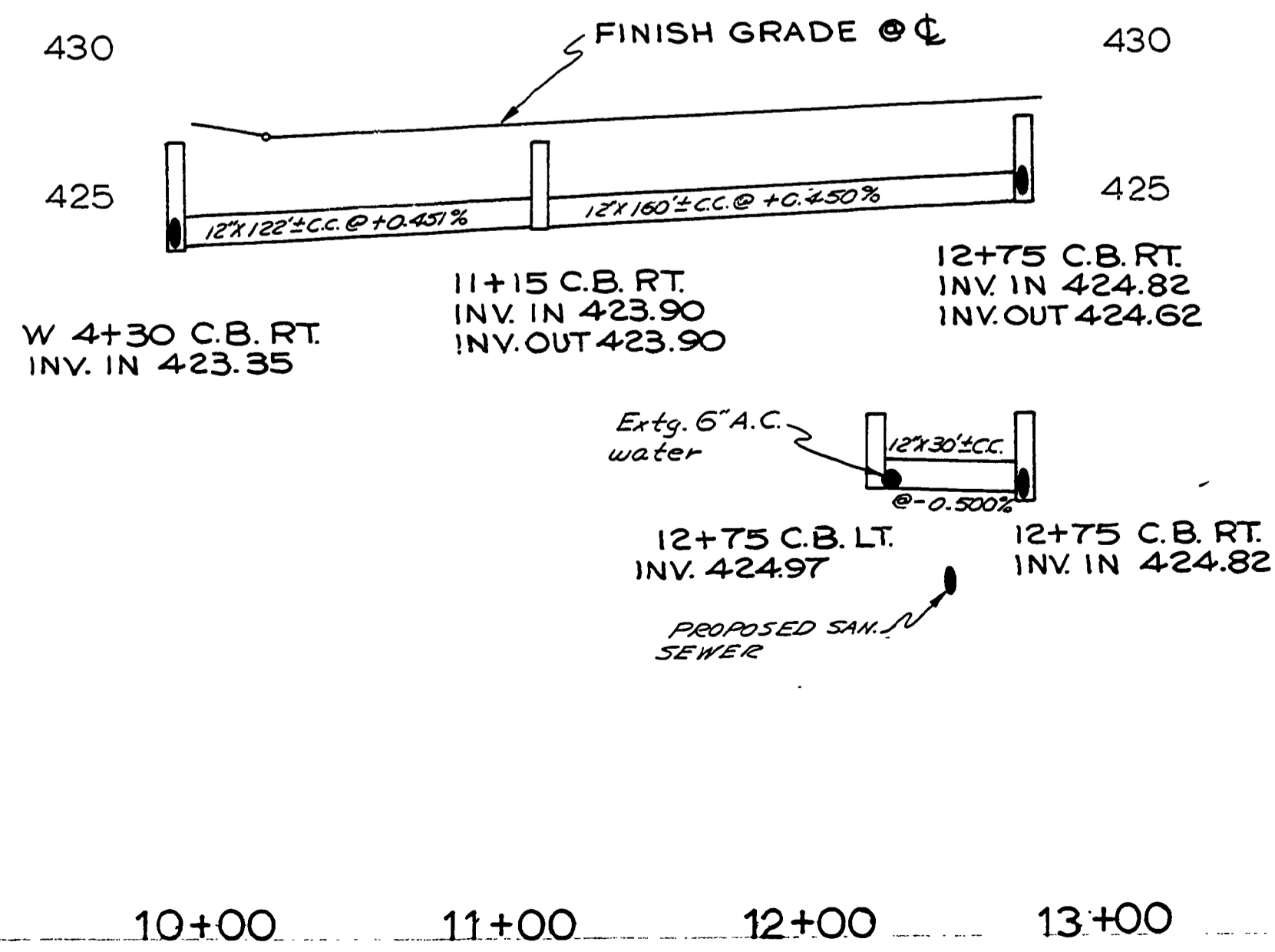
FILED
RECEIVED
JAN 11 1977
COUNTY SURVEYOR
DOUGLAS COUNTY, ORE.



"W" LINE



"G" LINE



"R" LINE

