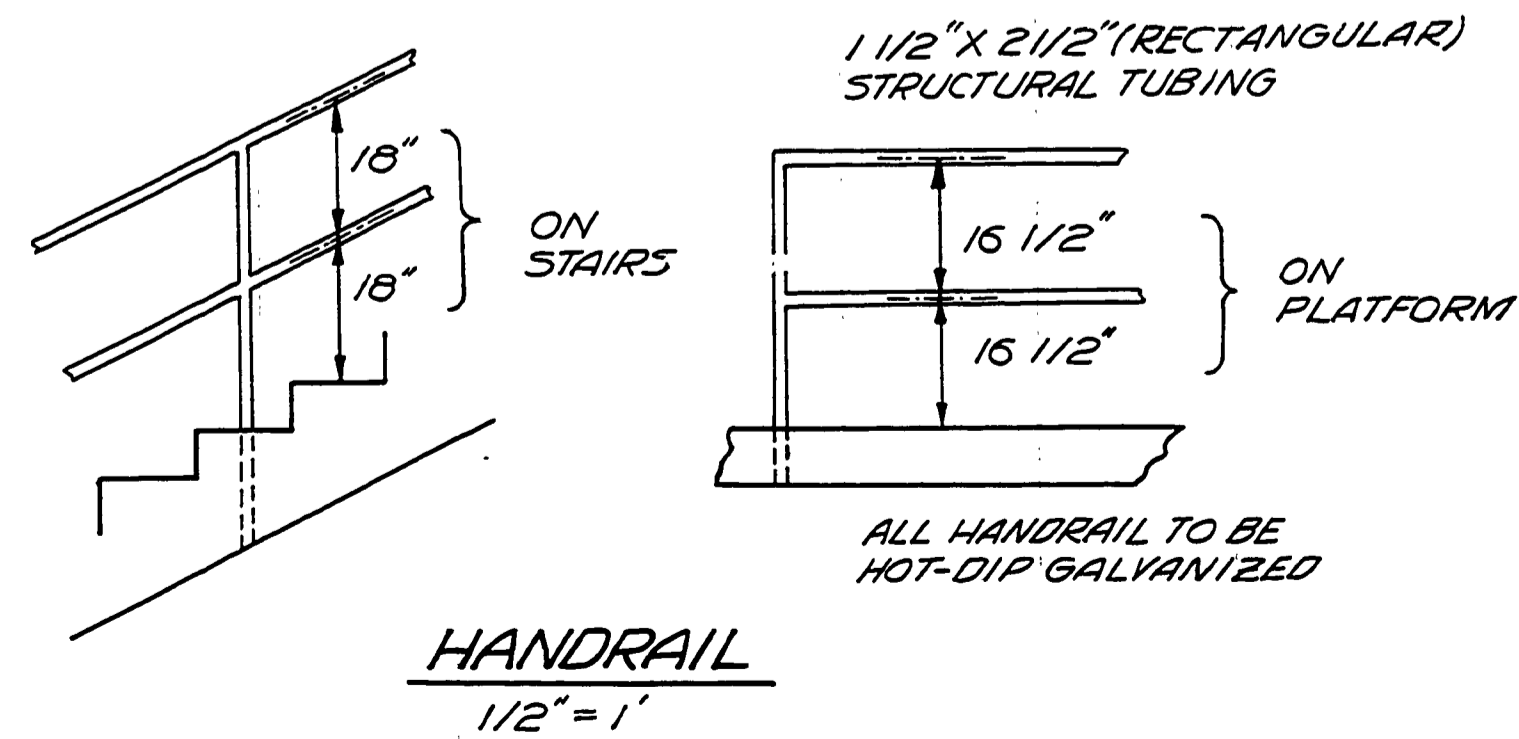
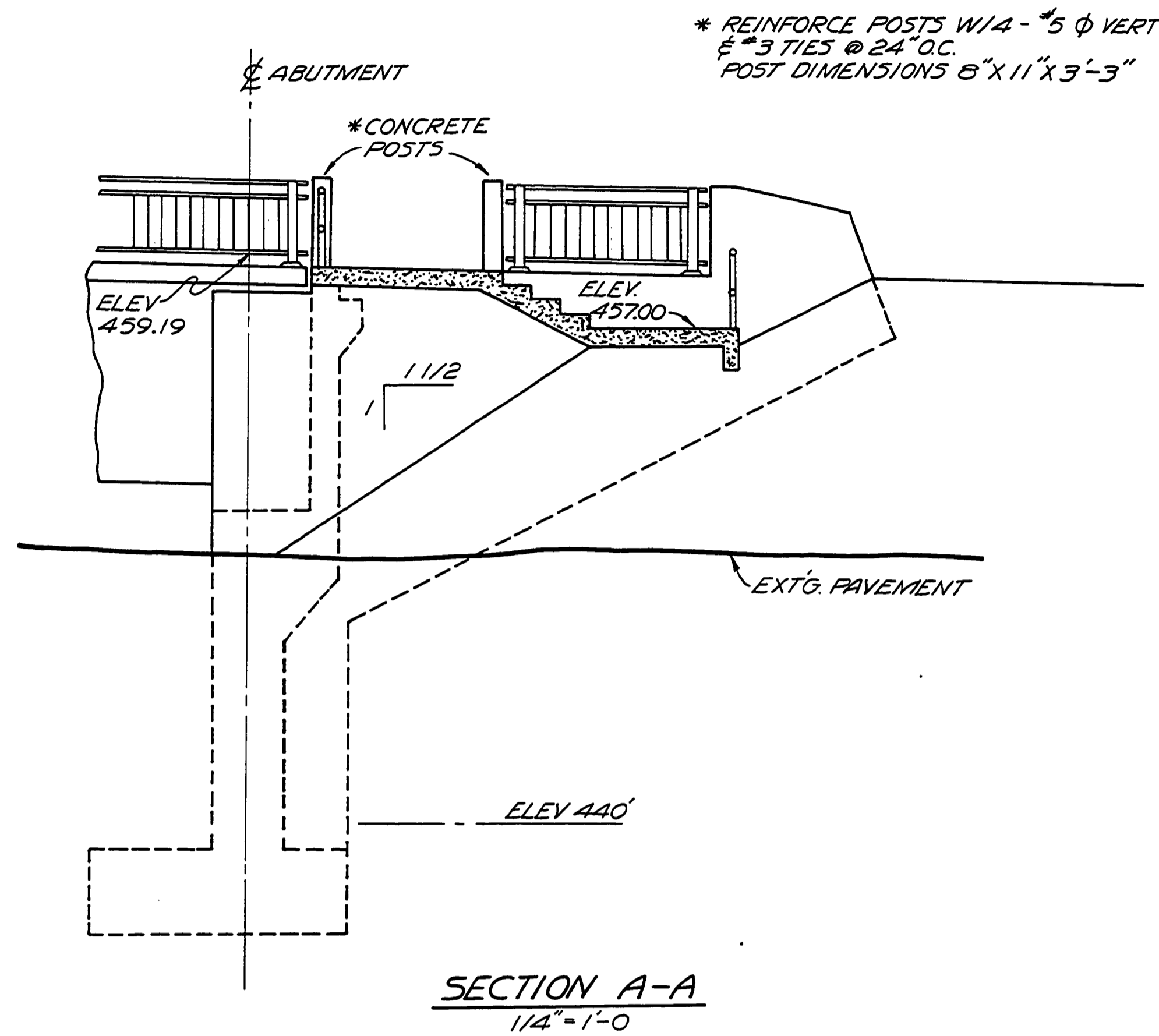


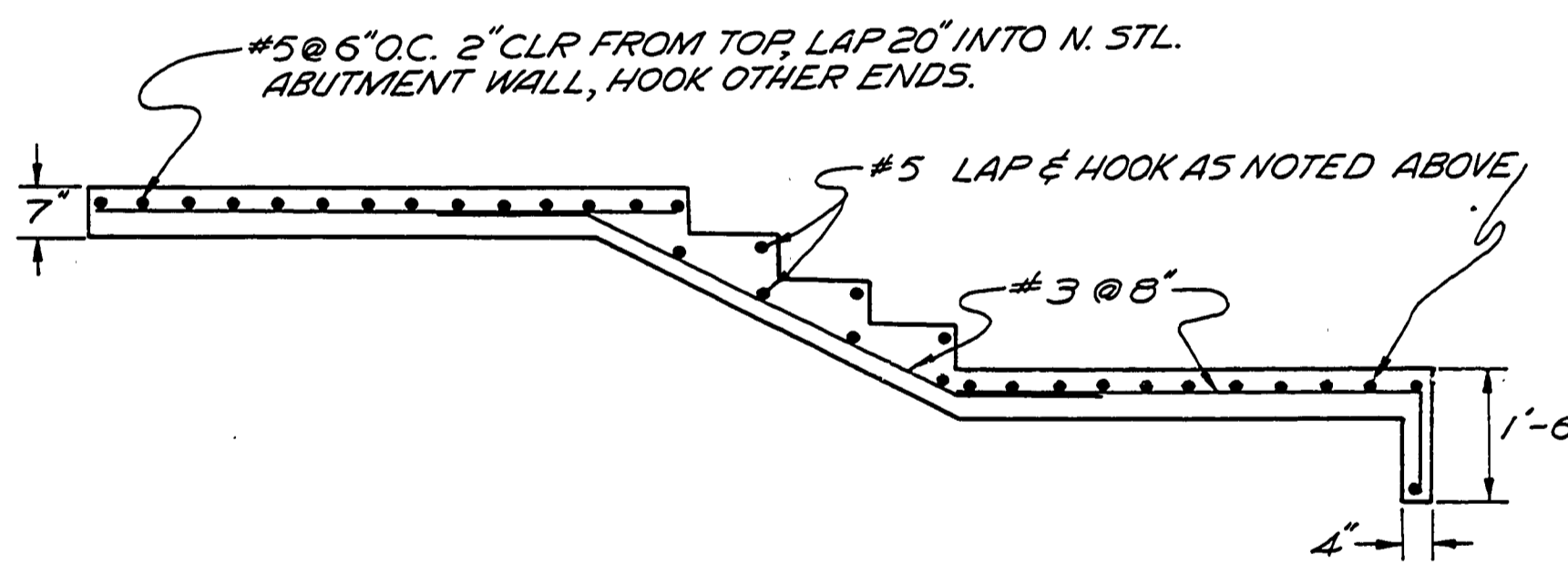
PARTIAL PLAN AT EAST ABUTMENT
 1/4" = 1'-0"



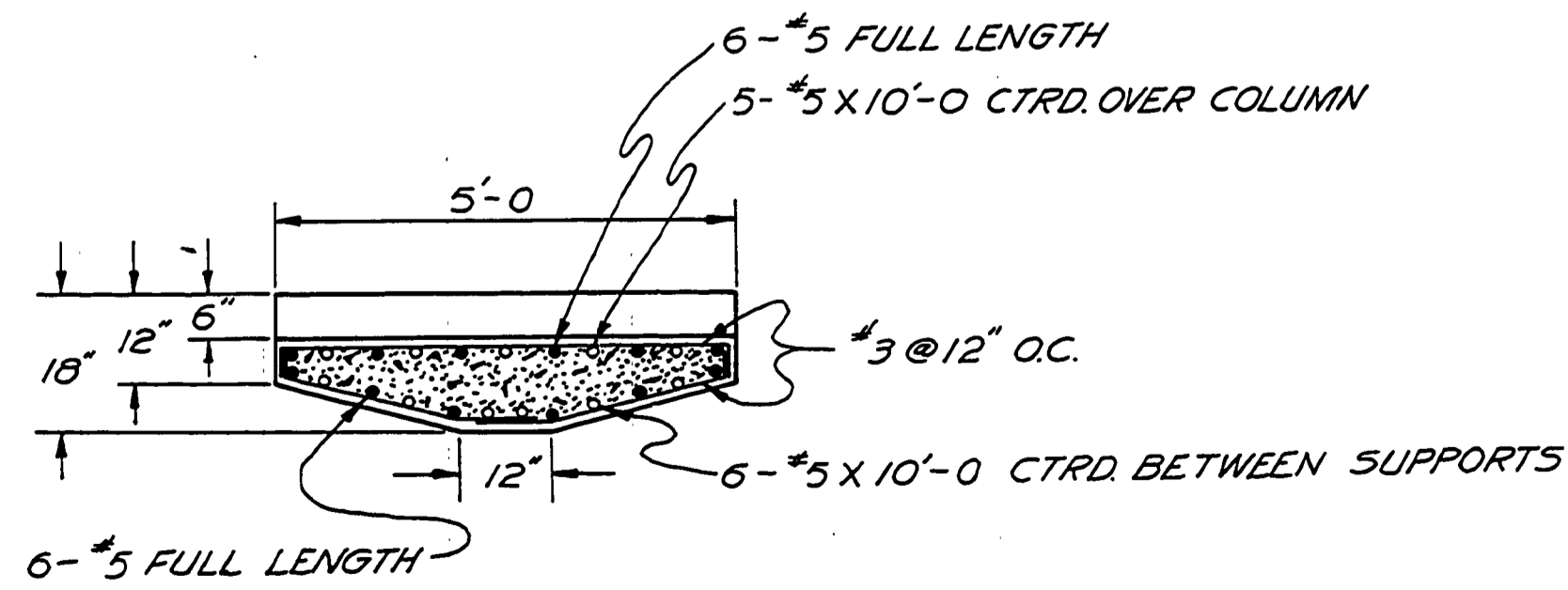
HANDRAIL
 1/2" = 1'



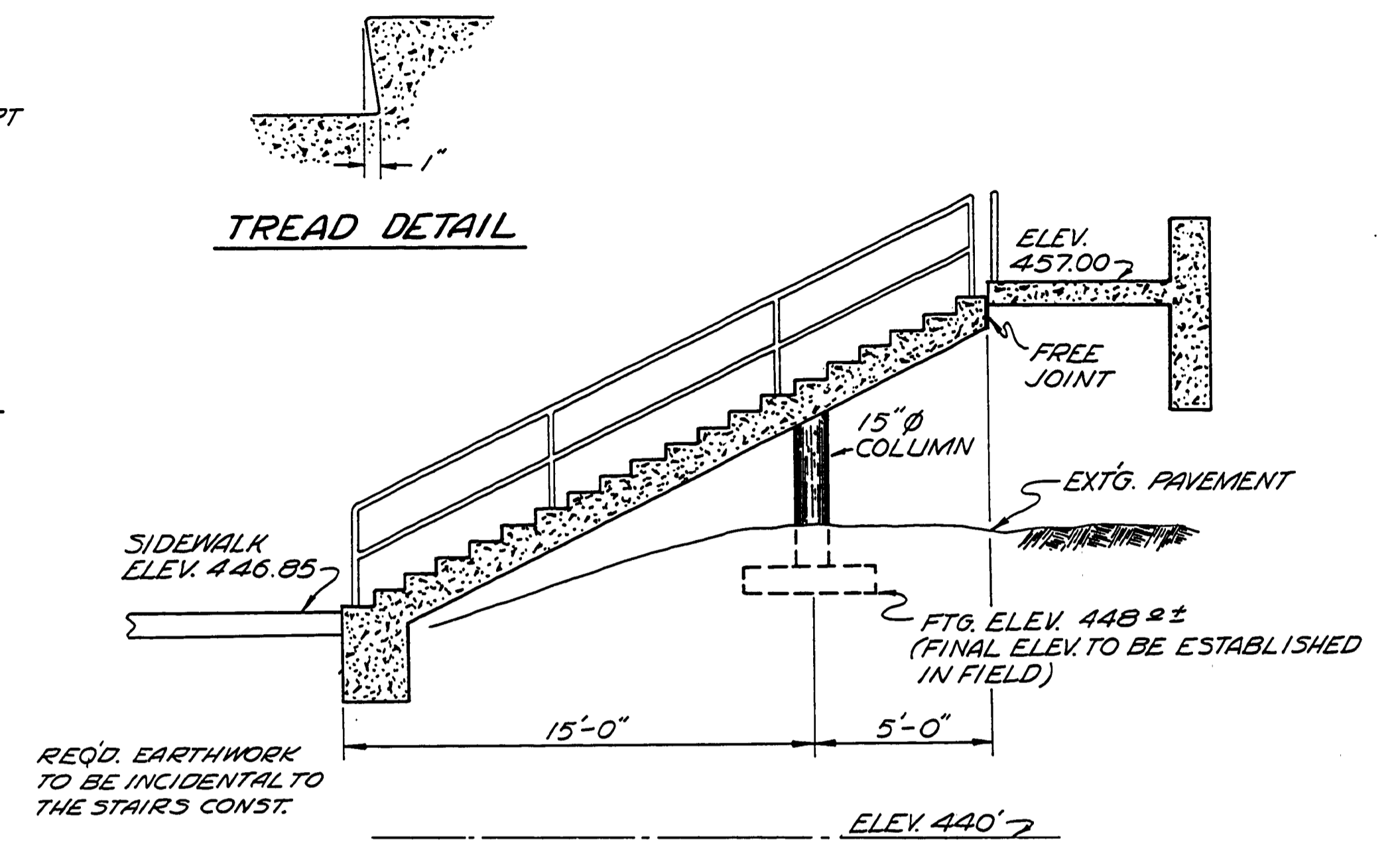
SECTION A-A
 1/4" = 1'-0"



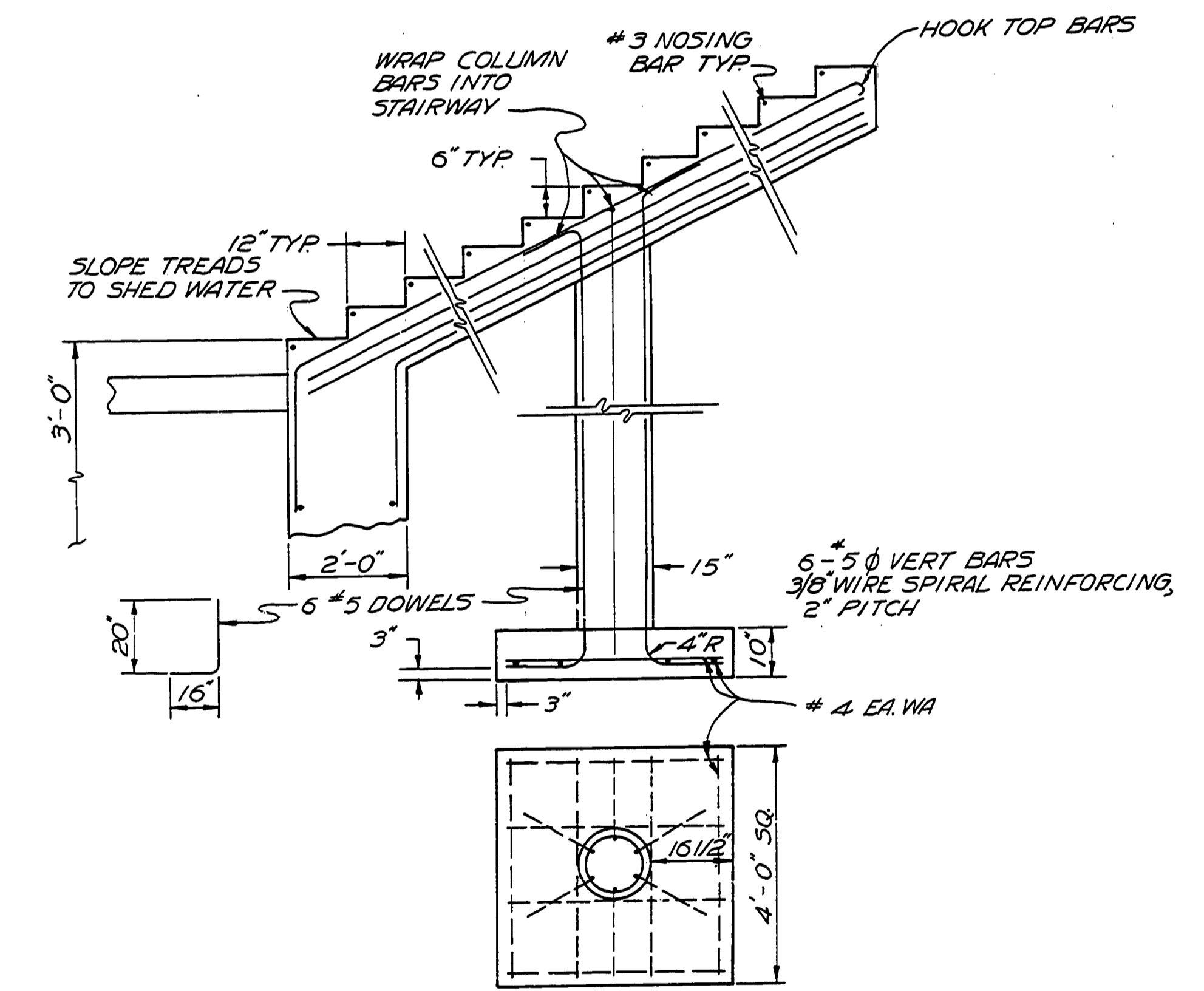
STAIR DETAIL SECTION A-A
 1/2" = 1'



TYPICAL STAIR SECTION
 1/2" = 1'-0"



SECTION B-B
 1/4" = 1'-0"



STAIR DETAIL SECTION B-B
 1/2" = 1'



DOUGLAS COUNTY ROAD DEPT.
 OAK AVENUE BRIDGE PROJ.
 1972 SHT 5
 GEORGE E. GRUBB COUNTY ENG.