

FILED

Date: 7-7-2020 By: Ma

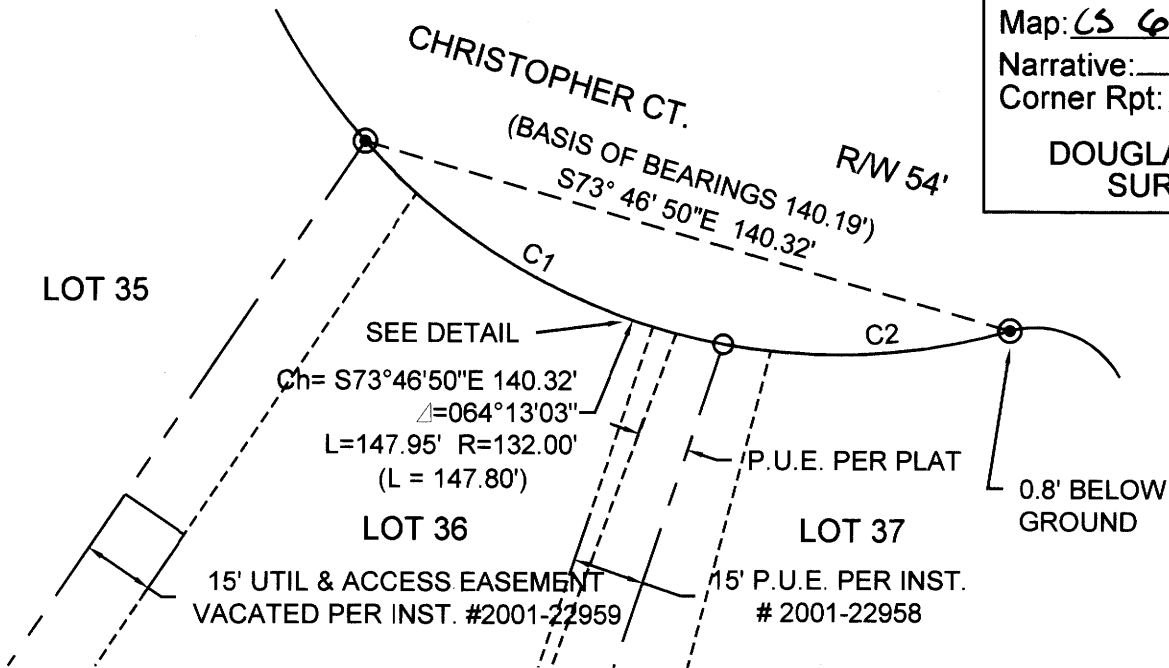
This survey consists of:

Map: CS 65/105-014

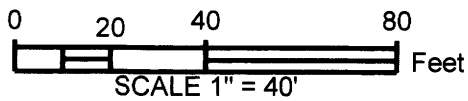
Narrative: _____

Corner Rpt: _____

DOUGLAS COUNTY
SURVEYOR



Curve Table					
Curve #	Length	Radius	Chord Direction	Chord Length	Record Info.
C1	87.54	132.00	S60° 40' 14"E	85.94	(L = 87.45')
C2	60.41	132.00	N87° 13' 15"E	59.88	(L = 60.35')



LEGEND

- FOUND 5/8" IRON ROD WITH PLASTIC CAP MARKED "IE ENG"
- SET 5/8" IRON ROD WITH PLASTIC CAP MARKED "LAND MARK SURVEYING INC."

RECORD INFORMATION

() SADDLE BUTTE ESTATES, 7TH ADDITION, VOL.20, PG. 3

REGISTERED
PROFESSIONAL
LAND SURVEYOR

Mark A. Heimbürger

OREGON
JULY 16, 1987
MARK A. HEIMBURGER
2287

RENEWS JUNE 30, 2021

RECORD OF SURVEY

IN SE 1/4, SEC. 25
T. 26 S., R. 6 W., W.M.
DOUGLAS COUNTY, OREGON
JUNE 16, 2020

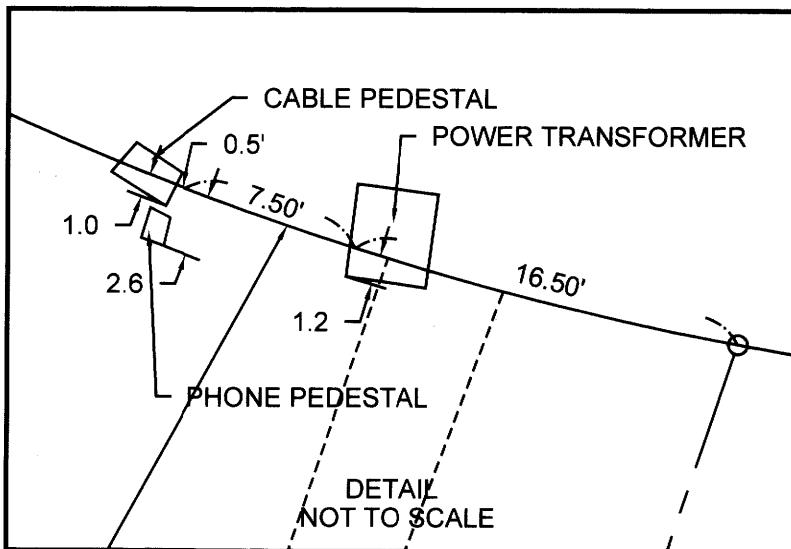
FOR: JASON PAPETTI
1564 WESTVIEW DR.
ROSEBURG, OR 97471

LM Proj. No. 2020-0046

Land Mark
SURVEYING INC.
3329 N.E. Stephens Street
Roseburg, Oregon 97470
Tel (541) 677-9400
Fax (541) 677-9401

Sheet 1 of 1

C.S. FILE 65/105-014



NARRATIVE

THE PURPOSE OF THE SURVEY WAS TO SET THE NORTHWEST CORNER OF LOT 36, SADDLE BUTTE ESTATES, 7TH ADDITION, VOL. 20, PG. 3 OF THE OFFICIAL PLAT RECORDS OF DOUGLAS COUNTY, OREGON.

THE CORNER WAS SET PROPORTIONATELY ALONG THE ARC BETWEEN THE FOUND MONUMENTS. UTILITY ENCROACHMENTS WERE MAPPED.

EQUIPMENT: TRIMBLE S6 ROBOTIC TOTAL STATION
FIELD & OFFICE: ANTHONY WELCH