

OREGON CORNER RESTORATION FORM

FILED

Section: 31 Township: 28S Range: 05W

Date: 7-1-2005 By: JL

This survey consists of:

Map: M148-4

Number: _____

Corner Rpt: 65/54-25 F

County: Douglas Date: 6-19-05

Corner Designation

E 1/16 $\frac{S31}{S6}$

- Condition Report Only
- Not Found
- Renewed
- Unrecorded
- Surveyed In
- Referenced Out

DOUGLAS COUNTY SURVEYOR

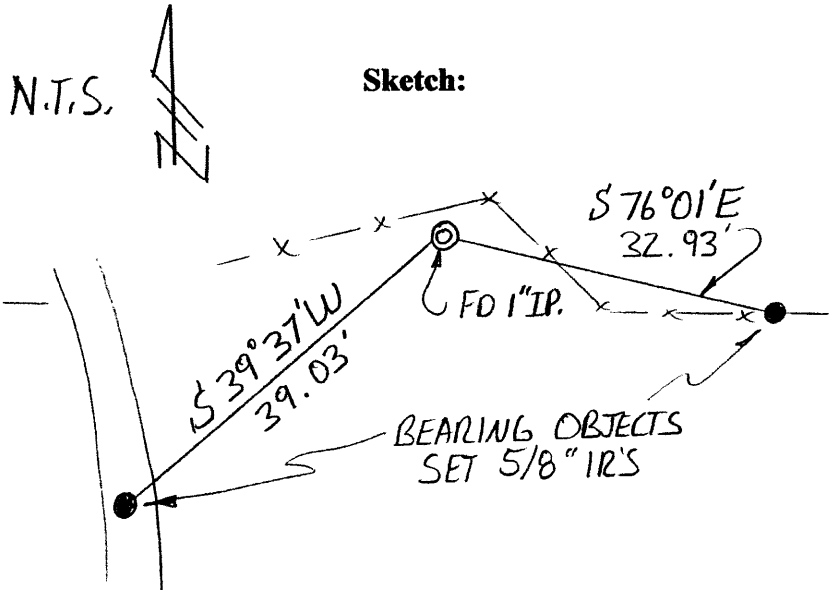
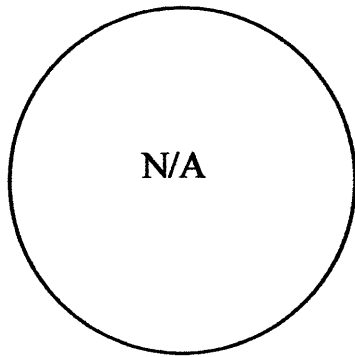
Previous Renewals / Surveys, etc.:

Corner was set by W.S. Barnes in 1974 (see M 54-63). Later surveys which show this corner were M59-35, M 82-34, & M 56-41.

Monument (s) & Accessories Found: (Condition & Source)

Found 1" IP set by Barnes in 1974; no accessories found.

Monument Detail:



Monument Set (Procedures and Description)

New Accessories

Bearing Objects

5/8" x 36" iron rod with plastic cap marked "Lang Surveying" bears S76°01'E 32.93'

5/8" x 36" iron rod with plastic cap marked "Lang Surveying" bears S39°37'W 39.03'

Location & Comments

Corner is located near an old fence just easterly of a resident driveway. The SW bearing object is in the driveway. The SE bearing object is in the fence

Compass Declination: N/A

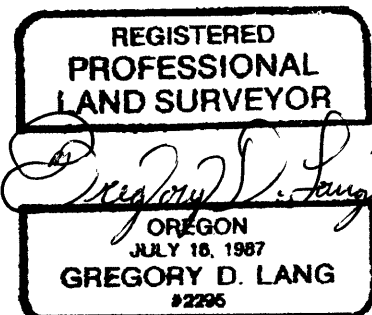
Firm/Agency:

Gregory D. Lang, Surveyor
Address: 7550 Willis Cr. Rd.
Winston, Oregon 97496
Party Chief: Gregory Lang

Notes: Same

Witness: Trevor Lang

Surveyor's Seal



EXPIRES 12-31-2006

C.S. File No 65/54-25 F