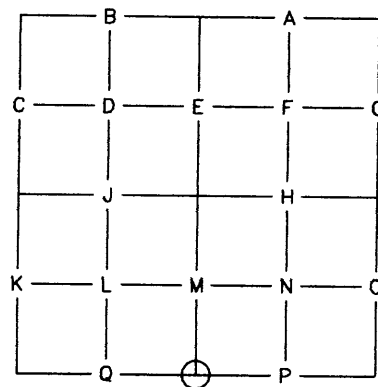


PUBLIC LAND CORNER

INDEX NO. 340200

WEYERHAEUSER COMPANY
WILLAMETTE REGION



TOWNSHIP 23 SOUTH RANGE 3 WEST
 SECTION 28 CORNER S 1/4
 COUNTY DOUGLAS OREGON

ORIGINAL CORNER DATED: 1882 BY: GLO - CURRIN
 CORNER: 5" DOGWOOD - MARKED 1/4 ON NORTH FACE
 ACCESSORIES: 10" DOGWOOD, SOUTH, 25 LKS.
6" DOGWOOD, N 10 E, 8 LKS.

RE-ESTABLISHMENT NOTES DATED: 1953 BY: G. GARDNER - C.S. #41/222
 EVIDENCE RECOVERED: _____
 CORNER SET: 12"X12"X20" STONE AND 1" IRON PIPE
 ACCESSORIES ESTABLISHED: 8" DEAD YEW, N 36 E, 25.4 FEET
10" YEW, S 80 E, 140.7 FEET

RE-ESTABLISHMENT NOTES DATED: 1959 BY: M. D. HALE
 EVIDENCE RECOVERED: 12"X12"X20" STONE AND 1" IRON PIPE
20" DEAD YEW, N 36 E, 25.7 FEET - SCRIBING VISIBLE
18" YEW, S 83 E, 140.7 FEET - SCRIBING VISIBLE

CORNER SET: _____
 ACCESSORIES ESTABLISHED: 44" FIR STUMP, N 75 E, 27.0 FEET - PLATES & "W" NAIL ONLY
36" FIR STUMP, S 40 W, 30.8 FEET - PLATES & "W" NAIL ONLY

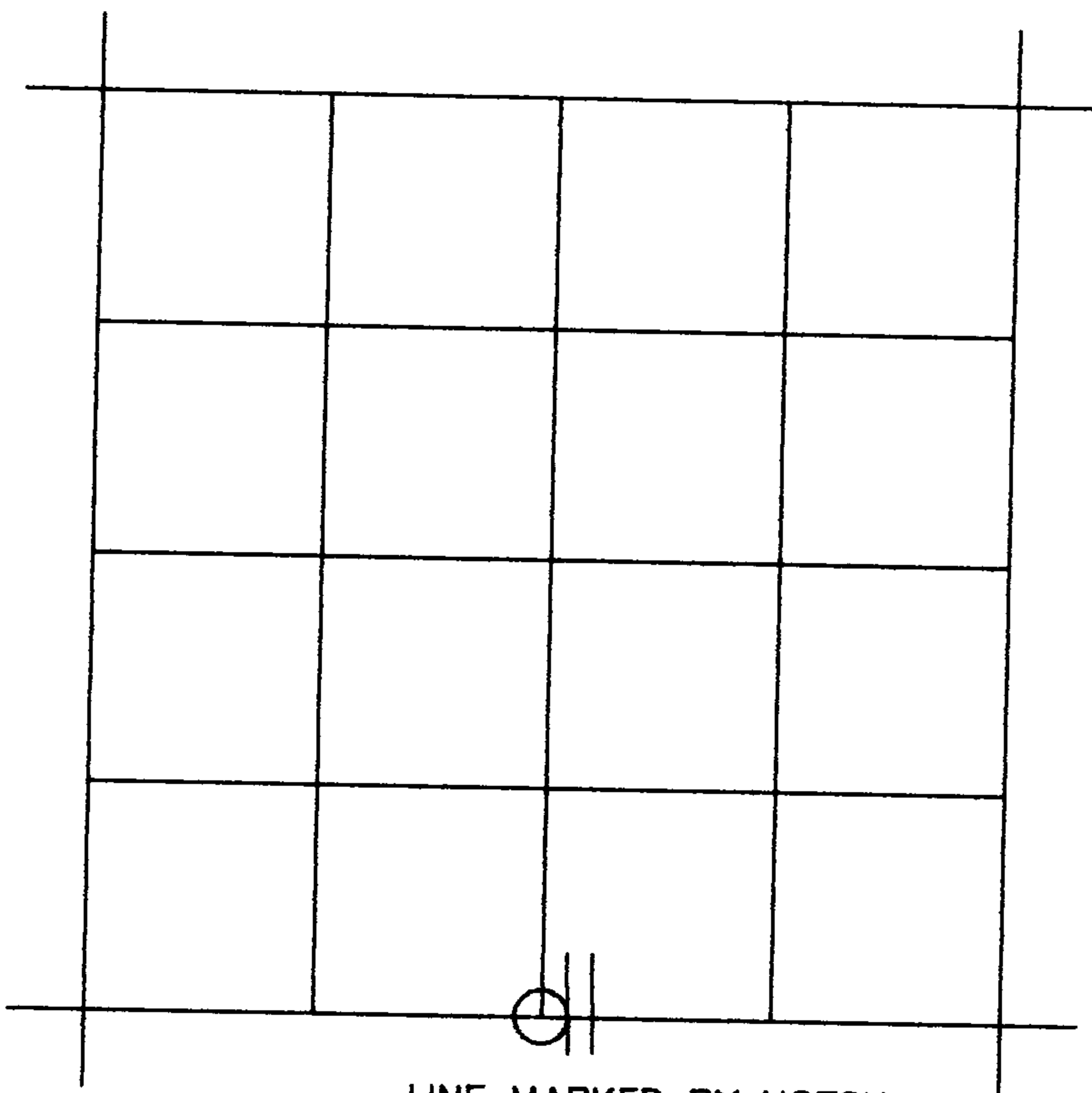
REMONUMENTATION

DATE: 6/30/03 BY: DAVID WELLMAN TITLE: PLS 2163 FIRM: D. WELLMAN SURVEYING
 EVIDENCE RECOVERED: 12"X12"X20" STONE AND 1" IRON PIPE
19" YEW, 1967 DOUGLAS CO. TAG READS "N 80 W, 140.1 FEET" - SCRIBING VISIBLE
DECAYED 44" FIR STUMP, WEYCO TAG READS "S 75 W, 27.0 FEET - TAG & "W" NAIL
DECAYED 36" FIR STUMP, S 45 W, 30.0 FEET - NO TAG OR "W" NAIL FOUND

ACCESSORIES ESTABLISHED: 17" FIR STUMP, N 10-1/2 E, 11.6 FEET TO SPIKE SET SIDE
CENTER - TAG AND NAIL ONLY
17" FIR STUMP, S 6 W, 23.2 FEET TO SPIKE SET SIDE CENTER - TAG AND NAIL ONLY
24" FIR STUMP, N 67-1/2 E, 22.1 FEET TO SPIKE SET SIDE CENTER - TAG AND NAIL ONLY

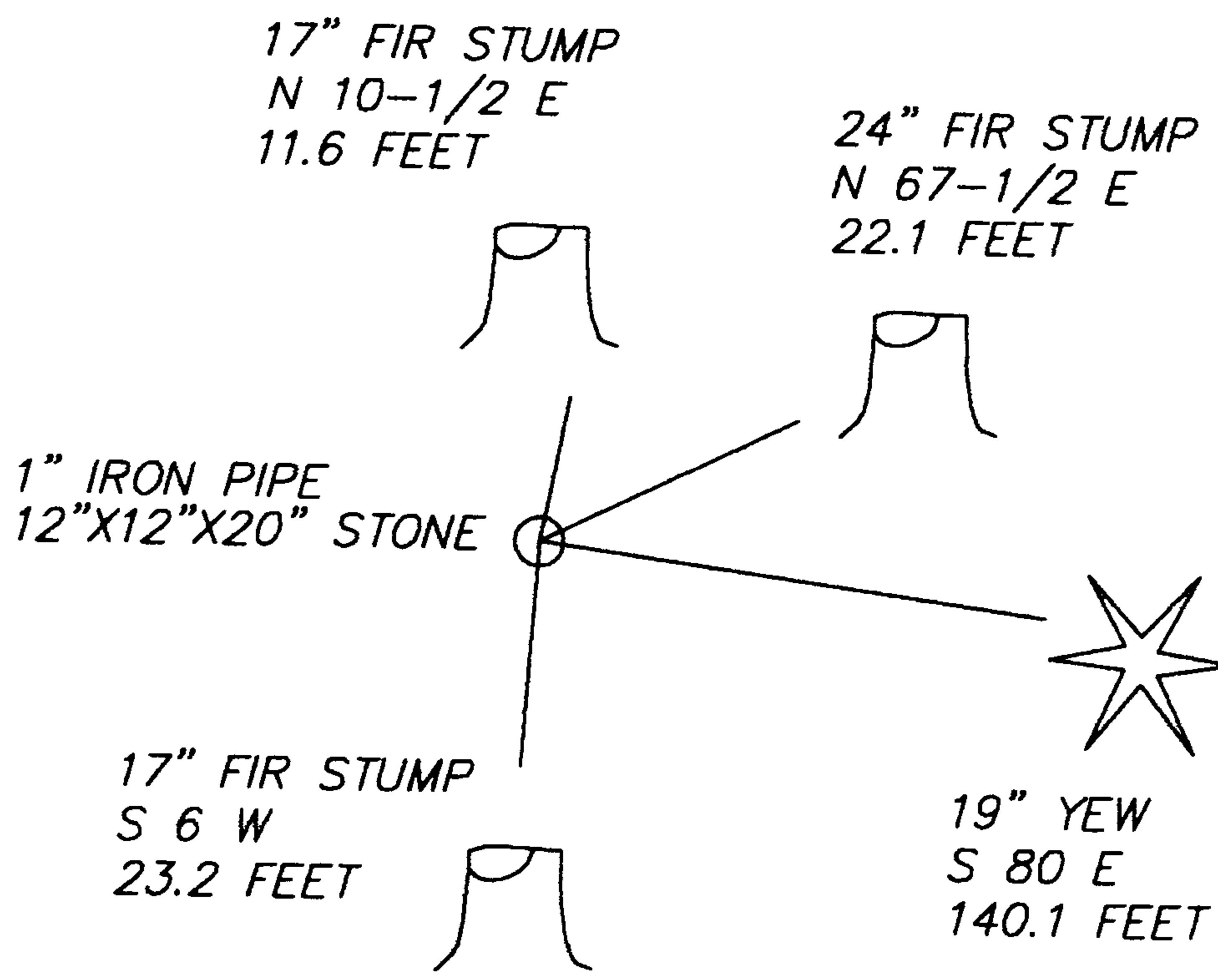
OTHER INFORMATION: _____

SECTION 28 TOWNSHIP 23 S RANGE 3 W



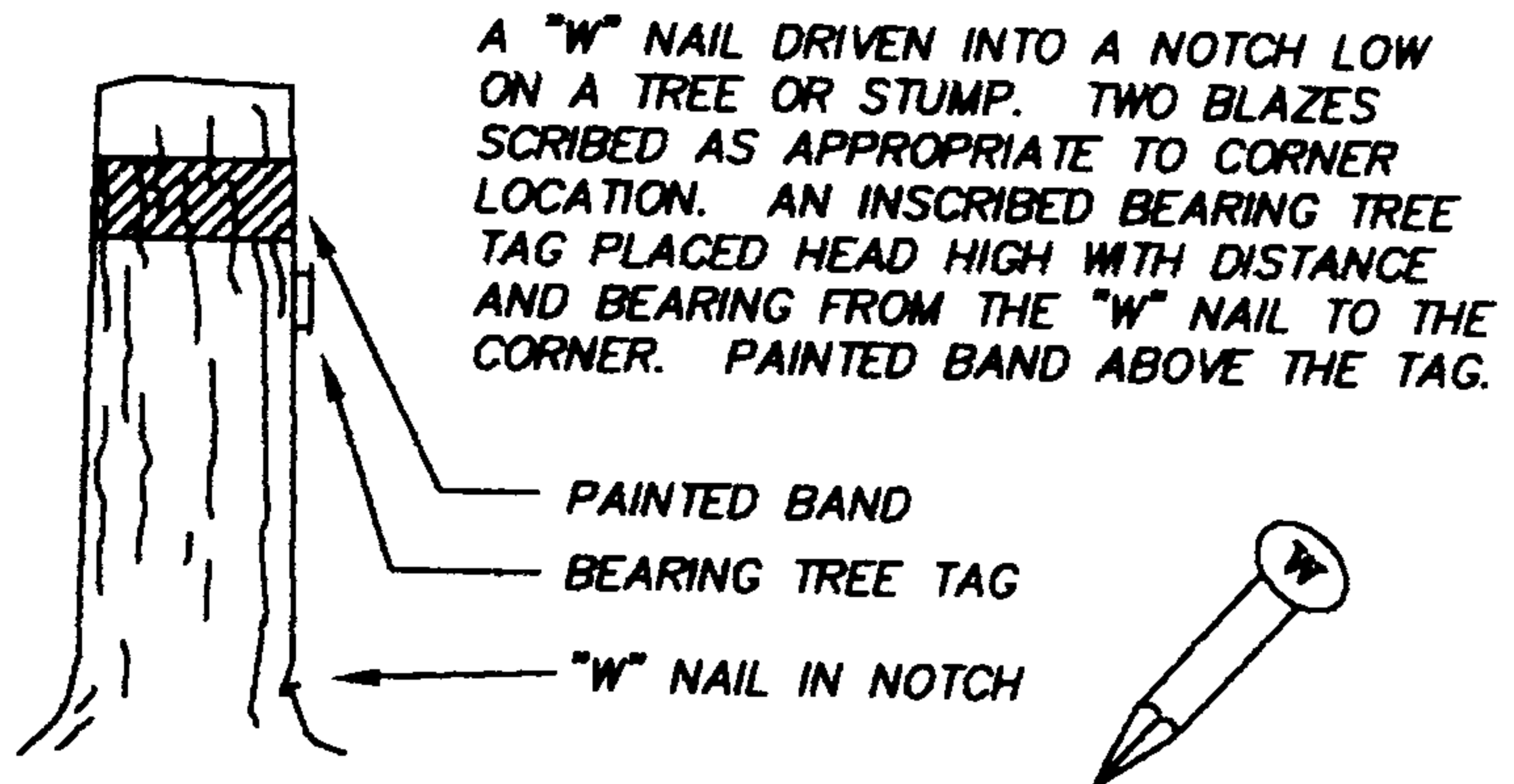
- LINE MARKED BY NOTCH CUT IN BLAZE
- KNOWN CORNER
- REFERENCED CORNER BY WEYERHAEUSER METHOD

SKETCH



CORNER IS 64 FEET WEST OF GRAVEL ROAD

WEYERHAEUSER COMPANY
CORNER REFERENCE METHOD



IDENTIFIED ON PHOTO: _____

INFORMATION ON CORNER AS NOW SET
GROUND COVER: CLEAR CUT 2002
SLOPE FACE (BEARING) N 69 W (-) 30 %

FROM CORNER

NORTH +5%

SOUTH -20%

EAST +25%

WEST -30%

BY: DAVID WELLMAN DATE: 6/30/03

FIRM: D. WELLMAN SURVEYING

ASSISTED BY: ERIN HEATHERSTONE
MICAH JOHNSTONE

COPIES TO: DOUGLAS COUNTY

ORS 672-025

REGISTERED PROFESSIONAL LAND SURVEYOR

David H. Wellman

OREGON
JULY, 1985
DAVID H. WELLMAN
2163

RENEWAL 6/30/04