

FILED

Date: 6/10/2003 By: JP

This survey consists of:

Map: M 142-36

Name: \_\_\_\_\_

Corner Rpt: CS 65/45-32 I

CORNER REPORT FORM

Section 4 Township 31 S Range 4 W.W.M.

Douglas County Date May 25, 2003

CORNER DESIGNATION

North 1/4 corner, Section 4 Only

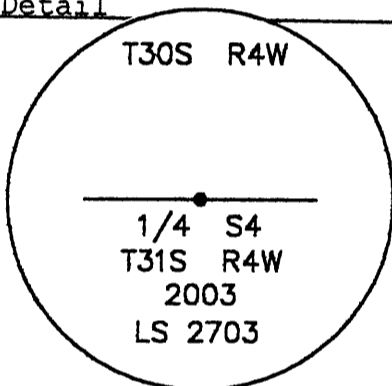
DOUGLAS COUNTY  
Condition: Surveyed In  
Not Found  
Renewed  
Unrecorded  
\* Surveyed In  
Referenced out

Previous Renewals/Surveys, etc:

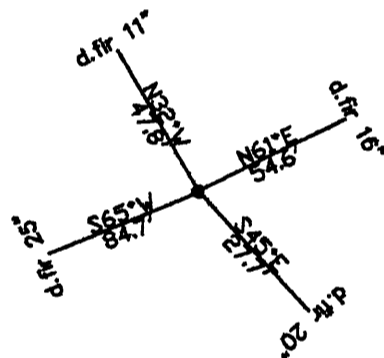
Nathaniel Ford, Contract 44 - May 30, 1854, page 6985 DCSO. William Thiel, Contract 535 - February 5, 1889, page 7020 Douglas County Survey Records. Wm.M. Bushey, Contract 620 - June 17, 1893.

Monument(s) & Accessories Found: (Condition and Source)

Monument Detail



Sketch



Monument Set (Procedures and Description)

Set 2-1/2" Aluminum Cap on a 5/8" x 30" iron rod 29" deep.  
Set at porportioned distance between closing corners section 4 on township line T30S- T31S between angle points.

New Accessories

- A douglas fir 16" Bears N61E, 54.6 feet - face scribed "T30S R4W BT".
- A douglas fir 20" Bears S45E, 27.7 feet - face scribed "T31S R4W S4 N1/4 BT".
- A douglas fir 25" Bears S65W, 84.7 feet - face scribed "T31S R4W S4 N1/4 BT".
- A douglas fir 11" Bears N32W, 47.8 feet - face scribed "T30S R4W BT".

Distances are to spike set at side center. Trees were paint banded and face painted red. Tags were filled out and placed on bearing trees facing corner.

Location & Comments

Falls in a 25+/- foot wide draw 15 feet east of a 3 foot wide northerly flowing creek. Slopes to east and west are 70-80%.

Compass Declination 19 East  
Firm/Agency: i.e. Engineering, Inc.

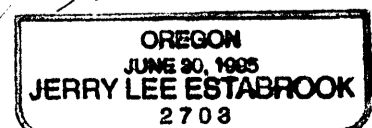
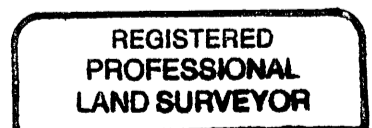
Address: 741 SE Jackson  
Roseburg, OR 97470

Party Chief: Bruce Webster

Notes:

Witness:

Surveyor's Seal



Exp. Date 12/31/03

C.S. File No 65/45-32 I