

- IN JACKSON COUNTY -

SURVEY FOR U.S. FOREST SERVICE

SECTION 33 & 34 T.32S.R.2W.W.M.

BY: BAUGHMAN TECHNICAL SERVICES INC.

AUGUST 1978

SCALE: 1" = 400'

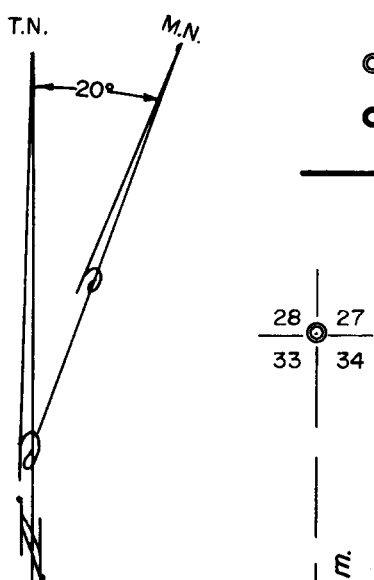


LEGEND

- — Found Brass cap
- — Set Brass cap
- True lines posted with steel fence post and government property signs.

REGISTERED PROFESSIONAL LAND SURVEYOR

OREGON
JULY 17, 1961
GLENN S. BAUGHMAN
536



T32SR2W
S28|S27
S33|S34
1968
OLS 536
Stamped

F.B. 4, P. 6
Found a Brass cap, set by Baughman & Ackaret Inc. From which a,
36" D. Fir bears N64°W 6.6 feet
12" W. Fir bears S28°W 15.2 feet
30' D. Fir bears S2°E 11.2 feet
16" W. Fir bears N20°E 19.8 feet

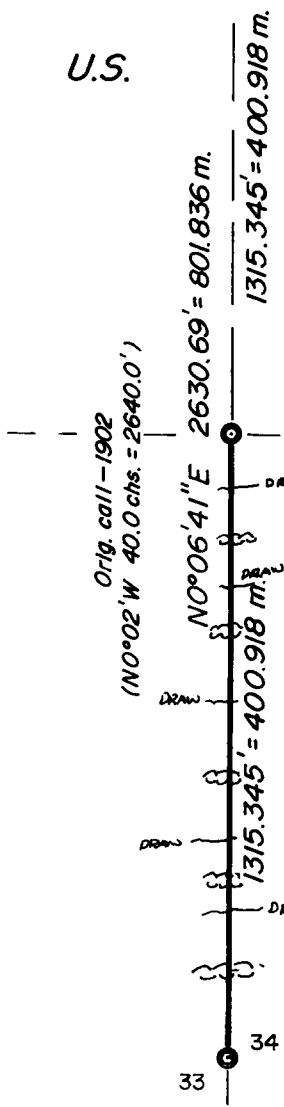
U.S. U.S.

COUNTY SURVEYORS FILE DATA
DO NOT REMOVE FROM OFFICE

FILED
RECEIVED JHN

AUG 25 1978

COUNTY SURVEYOR
DOUGLAS COUNTY, ORE.



T32S R2W WM
N1/16
S33|S34
1978
OLS 536
Stamped

F.B. 4, P. 9
Set a 2"x30" I.P., with a Brass cap, from which a,
8" W. Fir bears N86°W 34.5 feet
Scribed N1/16 S33 BT
18" W. Fir bears N62°E 38.1 feet
Scribed N1/16 S34 BT
Brass washer nalled to face of B.T.'s.

"I, GLENN S. BAUGHMAN, a registered professional land surveyor in the State of Oregon, hereby certify that this plat and the notes hereon, or attached, are a correct representation of a survey I performed during August 1978 for the U.S. Forest Service, in accordance with the statutes of the State of Oregon and with the Articles of my contract.

GLENN S. BAUGHMAN
Registered Professional Land Surveyor
Oregon License No. 536

T32S R2W WM
1/4S
S33|S34
1970
OLS 4906
Stamped

F.B. 4, P. 1
Found a Brass cap, set by Shaner Engineering From which a,
34" D. Fir bears S79°W 19.1 feet
18" Cedar bears N5°45'E 35.6 feet