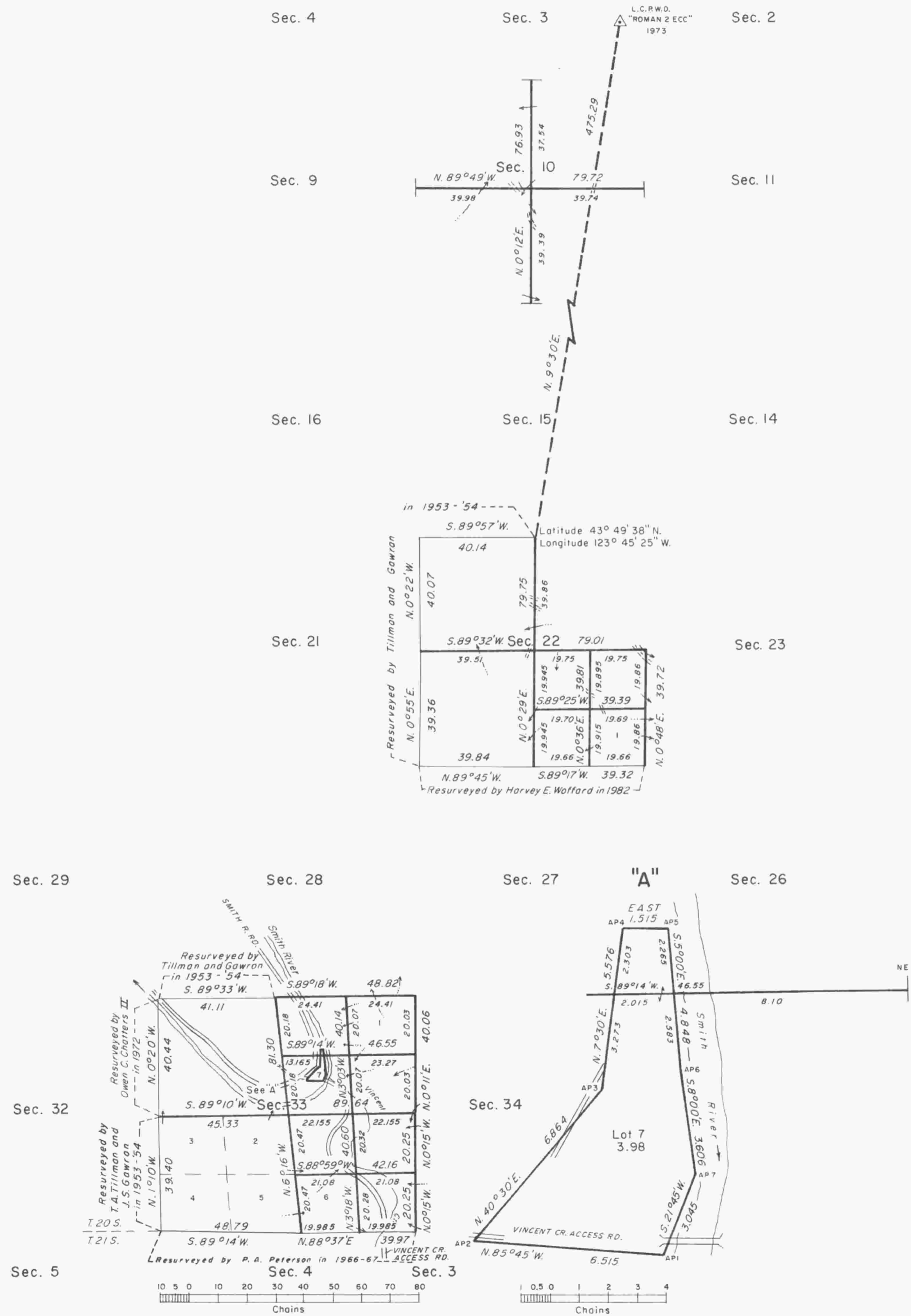


TOWNSHIP 20 SOUTH, RANGE 9 WEST, OF THE WILLAMETTE MERIDIAN, OREGON

DEPENDENT RESURVEY, SUBDIVISION OF SECTIONS, AND METES-AND-BOUNDS SURVEY



Mean magnetic declination
19° EAST



The history of surveys is contained in the field notes.

This plat represents a dependent resurvey of a portion of the subdivisional lines, T. 20 S., R. 9 W., Willamette Meridian, Oregon, designed to restore the corners in their true original locations according to the best available evidence, the subdivision of sections 10, 22, and 33, and the metes-and-bounds survey of Lot 7, in section 33.

Except as shown hereon, the lottings and areas are as shown on the plats approved July 3, 1878, May 6, 1893, and June 30, 1922, and the plat accepted March 23, 1960.

The survey was executed by Joel E. Robb, Cadastral Surveyor, beginning May 2, 1984, and completed August 14, 1984, pursuant to Special Instructions dated May 1, 1984, under Group Number 1203, Oregon.

Timber in this area consists of fir, cedar, hemlock, maple, and alder.

UNITED STATES DEPARTMENT OF THE INTERIOR
BUREAU OF LAND MANAGEMENT
Portland, Oregon October 31, 1986

This plat is strictly conformable to the approved field notes, and the survey, having been correctly executed in accordance with the requirements of law and the regulations of this Bureau, is hereby accepted.

For the Director
William W. Glenn
Chief Cadastral Surveyor of Oregon