

THIS MAP WAS PREPARED FOR ASSESSMENT PURPOSE ONLY.

Upper Left:
123°14'57"W 43°22'57"N
4190556E 637278N ft

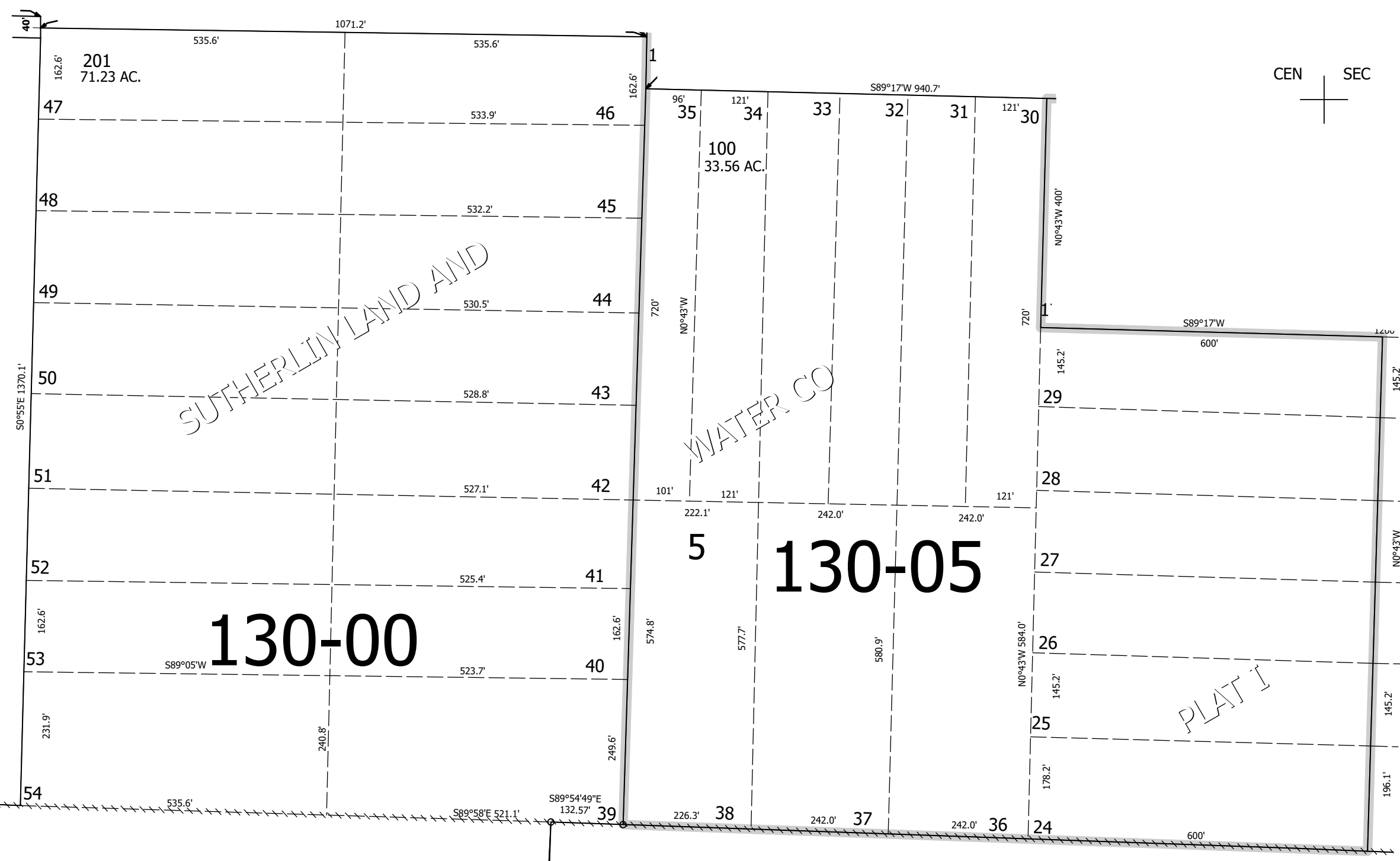
SW1/4 SEC.24 T.25S. R.05W. W.M.
DOUGLAS COUNTY
1" = 200'

Date Exported 2025-10-08

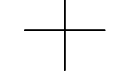
250524C

CANCELLED NOS:

1/4 COR



CEN SEC



SUTHERLIN LAND AND

WATER CO

PLAT I

130-00

130-05

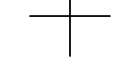
SEE
M126-5
M145-30

DENLEY
POND

200
0.32 AC

23
24
26
25

1/4 COR



250524C

Lower Right:
123°14'3"W 43°22'22"N
4194483E 633678N ft